

NOTES:

1. MATERIAL : SILICA GEL
2. ROHS COMPLIANCE.
3. PART NO.

Z - F B 1 B \* \* 3 0 1 \* 0

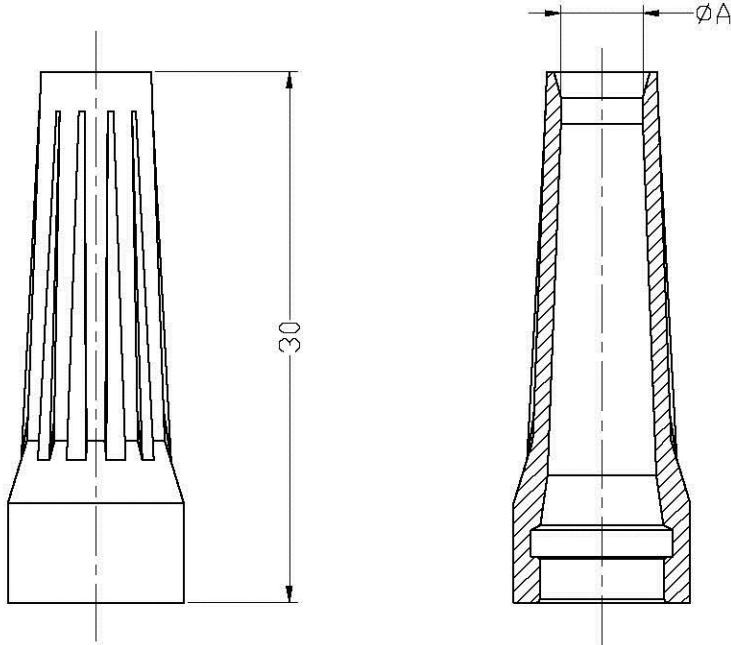
PRODUCT TYPE  
F=SNAP LATCHU METAL

COLOUR  
SEE TABLE 2

PRODUCT MODEL  
B=BEND RELIEF

DIM. A  
SEE TABLE 1

PRODUCT STYLE  
1B=1B STYLE



DIM.A	
25=CABLE	ØD 2.5mm-2.9mm
30=CABLE	ØD 3.0mm-3.4mm
35=CABLE	ØD 3.5mm-3.9mm
40=CABLE	ØD 4.0mm-4.4mm
45=CABLE	ØD 4.5mm-4.9mm
50=CABLE	ØD 5.0mm-5.4mm
55=CABLE	ØD 5.5mm-5.9mm
60=CABLE	ØD 6.0mm-6.4mm
70=CABLE	ØD 6.5mm-7.0mm

COLOUR
B=Blue
W=White
G=Gray
Y=Yellow
M=Brown
N=Black
R=Red
□=Orange
V=Green

TABLE 1

TABLE 2

UNITS ■mm □INCH		NAME: SNAP LATCH 1B BEND RELIEF			
GENERAL TOLERANCES: (UNLESS SPECIFIED)		PART NO: Z-FB1B**301*0		TITLE: ASS'Y DWG.	
	mm	INCH	APPD: Seawen 10/13/12	DWG NO: 010-0000-***	
4 PLACE	±**	±**	CHKD: Peter 10/13/12	C	
3 PLACE	±0.10	±**	DRAWN: Camby 10/13/12	SCALE: SHEET: REV.:	
2 PLACE	±0.30	±**		2.5/1	1/1
1 PLACE	±0.50	±**		X1	
ANGULAR:	X°±2°	X°±**			

REV.	DESCRIPTION	DATE	APPD
X1	NEW RELEASE	10/13/12	Seawen