

1 2 3 4 5 6 7 8

NOTE:

1. MATERIAL AND FINISH
SHELL ASSEMBLY: COPPER ALLOY, OUTER SHELL Cr PLATING,
OTHER METALLIC COMPONENTS Ni PLATING
INSULATOR: PEEK
CONTACT: COPPER ALLOY, GOLD PLATING OVER Ni
2. ROHS COMPLIANCE
3. PART NO.

R - F 2 K R * * 0 4 0 0 0 0

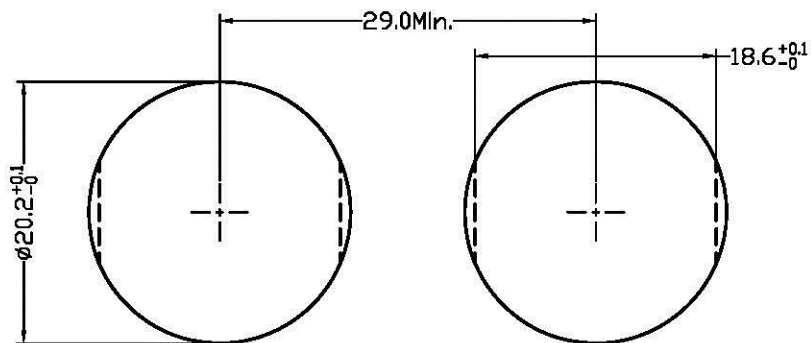
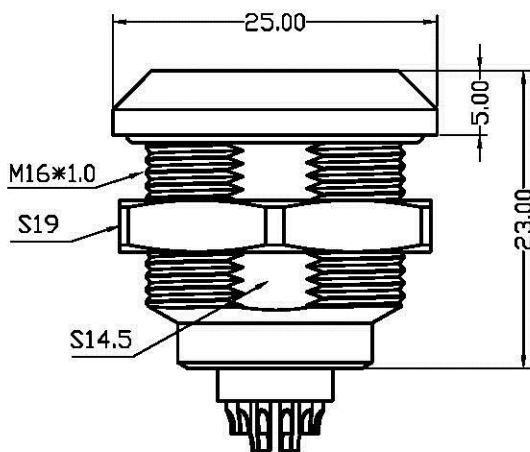
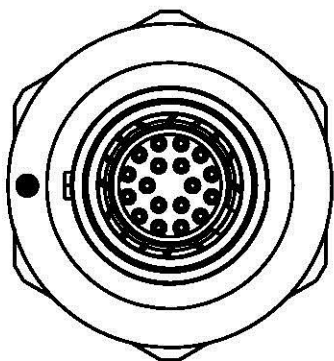
PRODUCT TYPE
F=SNAP LATCH METAL

CONTACT PLATING
4=Au 20u"

PRODUCT STYLE
2K=2K STYLE

NUMBER OF CONTACTS
02=02PIN
SEE TABLE

PRODUCT MODEL
R=RECEPTACLE

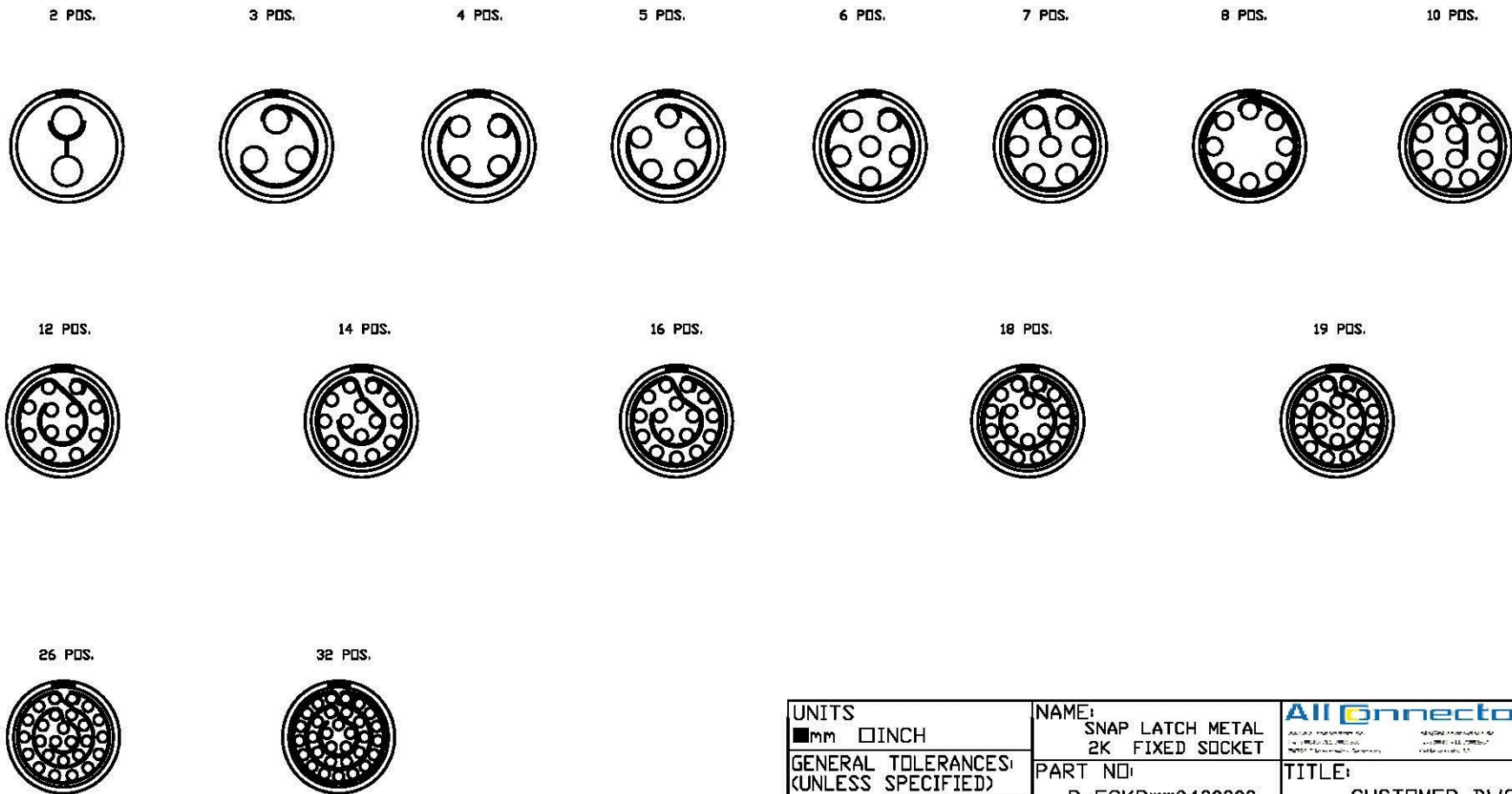


PANEL CUT-OUT

UNITS mm INCH		NAME: SNAP LATCH METAL 2K FIXED SOCKET		All Connectors www.allconnectors.com 1-800-541-0000 30000 FREDERICKSBURG, VA 22409	
GENERAL TOLERANCES: (UNLESS SPECIFIED)		PART NO: R-F2KR**0400000		TITLE: CUSTOMER DWG.	
	mm	INCH	APPD: Seawen 11/6/13		DWG NO: 010-0000-C13
4 PLACE	±.15	±.006	CHKD: Peter 11/6/13		C
3 PLACE	±0.30	±.012	DRAWN: Camby 11/6/13		
2 PLACE	±0.50	±.020			
1 PLACE	±0.80	±.031			
ANGULAR	X°±2°	X°±.075°			SCALE: SHEET: REV: 2.5/1 1/2 X1

X1	NEW RELEASE	11/6/13	Seawen
REV.	DESCRIPTION	DATE	APPD

view from termination side socket part



UNITS <input checked="" type="checkbox"/> mm <input type="checkbox"/> INCH		NAME: SNAP LATCH METAL 2K FIXED SOCKET			
GENERAL TOLERANCES: (UNLESS SPECIFIED)		PART NO: R-F2KR**0400000		TITLE: CUSTOMER DWG.	
	mm	INCH	APPD: Seawen 11/6/13		DWG NO: 010-0000-C13
4 PLACE	±.***	±.***	CHKD: Peter 11/6/13		C
3 PLACE	±0.30	±.***	DRAWN: Camby 11/6/13		
2 PLACE	±0.50	±.***			
1 PLACE	±0.80	±.***			
ANGULAR:	X°±2°	X°±***			

X1	NEW RELEASE	11/6/13	Seawen
REV.	DESCRIPTION	DATE	APPD