

NOTE:

1. MATERIAL AND FINISH

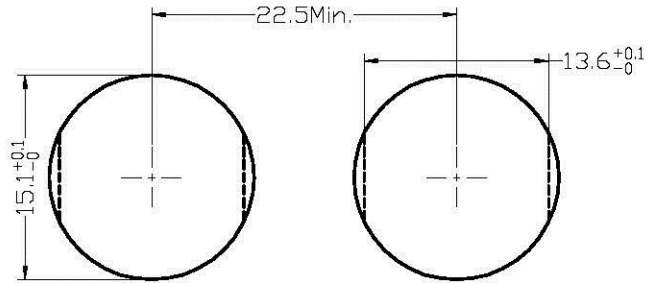
1.1. SHELL ASSEMBLY: COPPER ALLOY, OUTER SHELL AND COLLET
NUT Cr PLATING, OTHER METALLIC COMPONENTS Ni PLATING

1.2. INSULATOR: PEEK

1.3. CONTACT: COPPER ALLOY, GOLD PLATING

2. RoHS COMPLIANCE

3. PART NO.



PANEL CUT-OUT

R - F 2 B N * * 0 * 0 0 * 0 0

CONTACT POS.
02-09=2pin-09pin

SHELL MATERIAL
0=Brass

CODE	KEY ANGLES
0	0
A	30°
B	60°
..	..

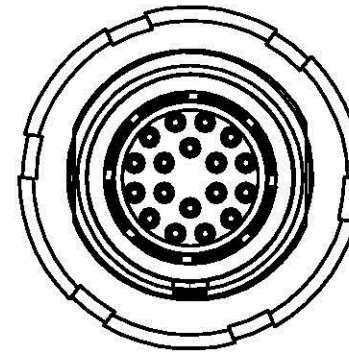
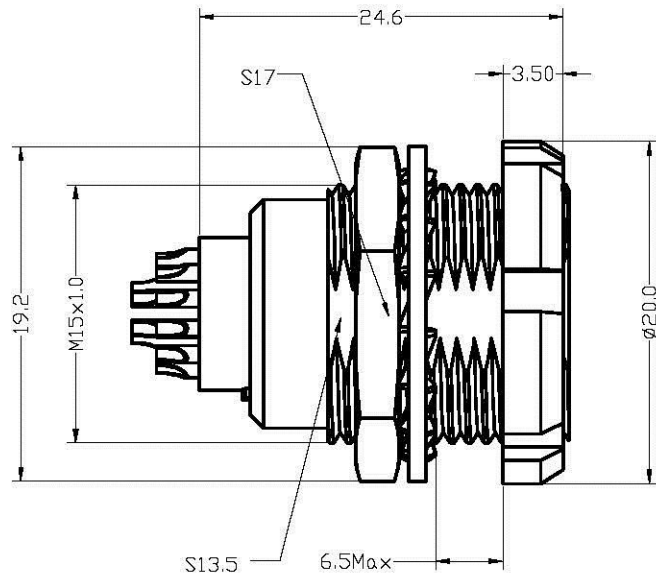
CODE	CONTACT TYPE
2	Male Solder Contact
4	Female Solder Contact
C	Crimp Male Contact
M	Crimp Female Contact
1	Male Print Contact
3	Female Print Contact


No. OF CONTACTS	ØA	L
02,03,04,05,06,07,	0.7	3.0
08,10,12,14,16,18,19,	0.7	3.0
26,32,	0.5	3.0

UNITS mm INCH		NAME: SNAP LATCH METAL 2B SOCKET TWO NUTS		All connectors	
GENERAL TOLERANCES: (UNLESS SPECIFIED)		PART NO: R-F2BN**0*00*00		TITLE: CUSTOMER DWG.	
	mm	INCH	APPD: Seawen 3/15/14		DWG NO: 010-0000-B31
4 PLACE	± **	± **	CHKD: Annie 3/15/14		C
3 PLACE	± 0.10	± **	DRAWN: Alex 3/15/14		SCALE: SHEET: REV: 1/7 X1
2 PLACE	± 0.30	± **			
1 PLACE	± 0.50	± **			
ANGULAR:	X° ± 2°	X° ± **			

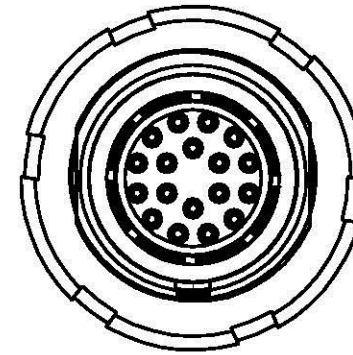
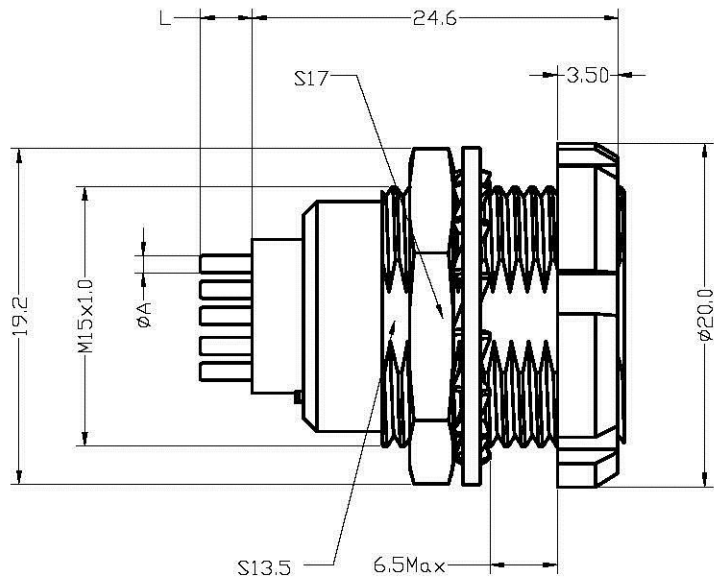
REV.	DESCRIPTION	DATE	APPD
X1	NEW RELEASE	3/15/14	Seawen

2B FIXED SOCKET SOLDER CONTACT TYPE VIEW



UNITS <input checked="" type="checkbox"/> mm <input type="checkbox"/> INCH		NAME: SNAP LATCH METAL 2B SOCKET TWO NUTS			
GENERAL TOLERANCES: (UNLESS SPECIFIED)		PART NO: R-F2BN**0*00*00		TITLE: CUSTOMER DWG.	
		mm	INCH	APPD: Seawen 3/15/14	DWG NO: 010-0000-B31
4 PLACE	± **.05	± **.002	± **.002	CHKD: Annie 3/15/14	C
3 PLACE	± 0.10	± **.004	± **.004	DRAWN: Alex 3/15/14	
2 PLACE	± 0.30	± **.012	± **.012		
1 PLACE	± 0.50	± **.020	± **.020		
ANGULAR:	X° ± 2°	X° ± **.08	X° ± **.08		
REV. X1	NEW RELEASE	3/15/14	Seawen		SCALE: SHEET: REV.:
	DESCRIPTION	DATE	APPD		3/1 2/7 X1

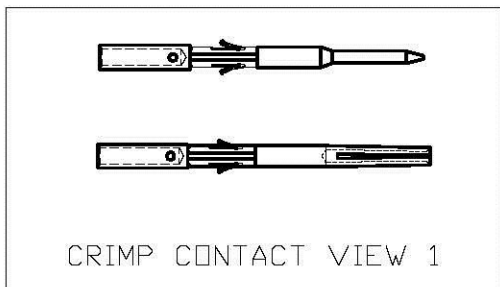
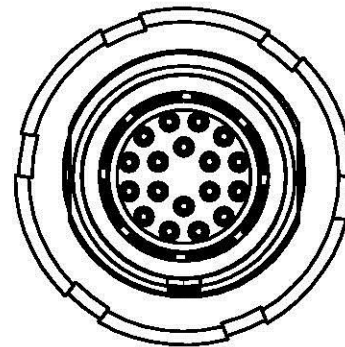
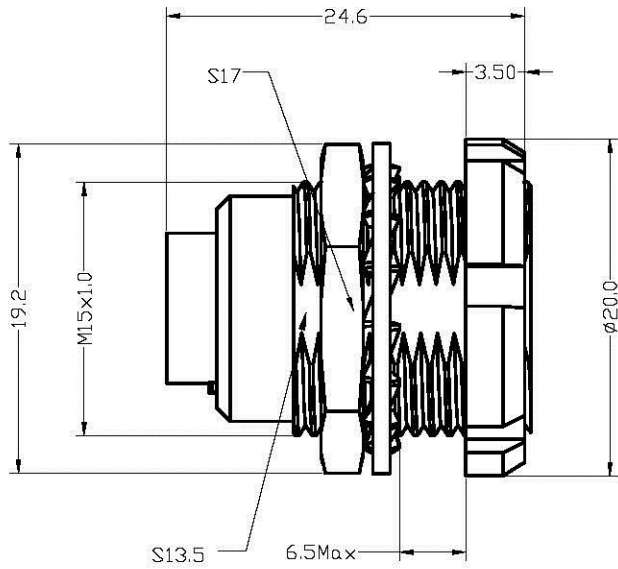
2B FIXED SOCKET PRINT CONTACT TYPE VIEW



UNITS <input checked="" type="checkbox"/> mm <input type="checkbox"/> INCH		NAME: SNAP LATCH METAL 2B SOCKET TWO NUTS			
GENERAL TOLERANCES: (UNLESS SPECIFIED)		PART NO: R-F2BN**0*00*00		TITLE: CUSTOMER DWG.	
	mm	INCH	APPD: Seawen 3/15/14		DWG NO: 010-0000-B31
4 PLACE	± **.05	± **.002	CHKD: Annie 3/15/14		C
3 PLACE	± 0.10	± **.004	DRAWN: Alex 3/15/14		
2 PLACE	± 0.30	± **.012	SCALE: 3/1		SHEET: 3/7
1 PLACE	± 0.50	± **.020	REV: X1		
ANGULAR:	X° ± 2°	X° ± **.075			

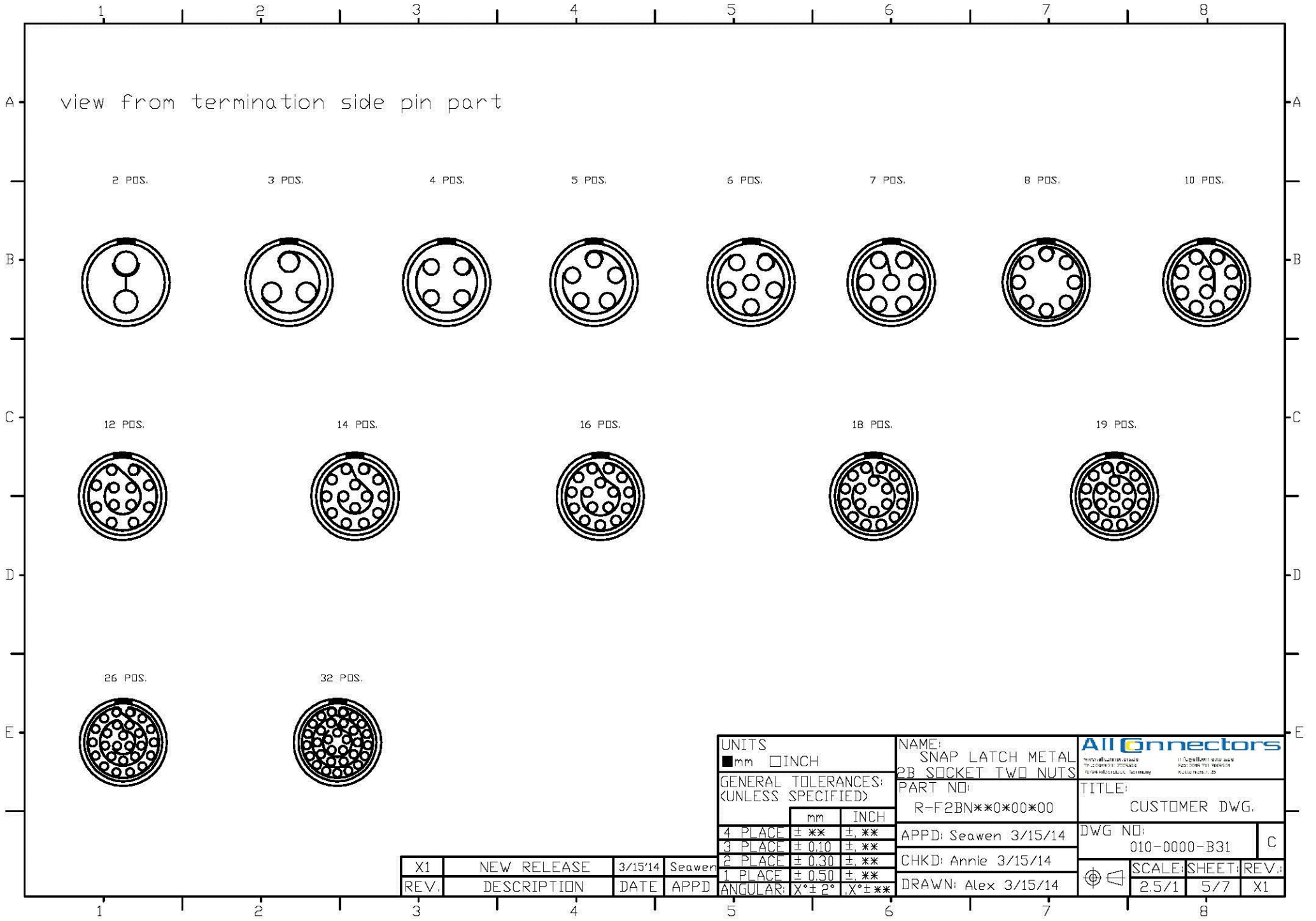
X1	NEW RELEASE	3/15/14	Seawen
REV.	DESCRIPTION	DATE	APPD

2B FIXED SOCKET CRIMP CONTACT TYPE VIEW



UNITS <input checked="" type="checkbox"/> mm <input type="checkbox"/> INCH		NAME: SNAP LATCH METAL 2B SOCKET TWO NUTS		Allconnectors <small>18000000000 2014 Tel: 349 21 708033 Allconnectors GmbH Karlshafen, DN</small>	
GENERAL TOLERANCES: (UNLESS SPECIFIED)		PART NO: R-F2BN**0*00*00		TITLE: CUSTOMER DWG.	
	mm	INCH	APPD: Seawen 3/15/14		DWG NO: 010-0000-B31
4 PLACE	± **	± **	CHKD: Annie 3/15/14		C
3 PLACE	± 0.10	± **	DRAWN: Alex 3/15/14		
2 PLACE	± 0.30	± **	SCALE: 3/1		SHEET: 4/7
1 PLACE	± 0.50	± **	REV: X1		
ANGULAR:	X° ± 2°	X° ± **			

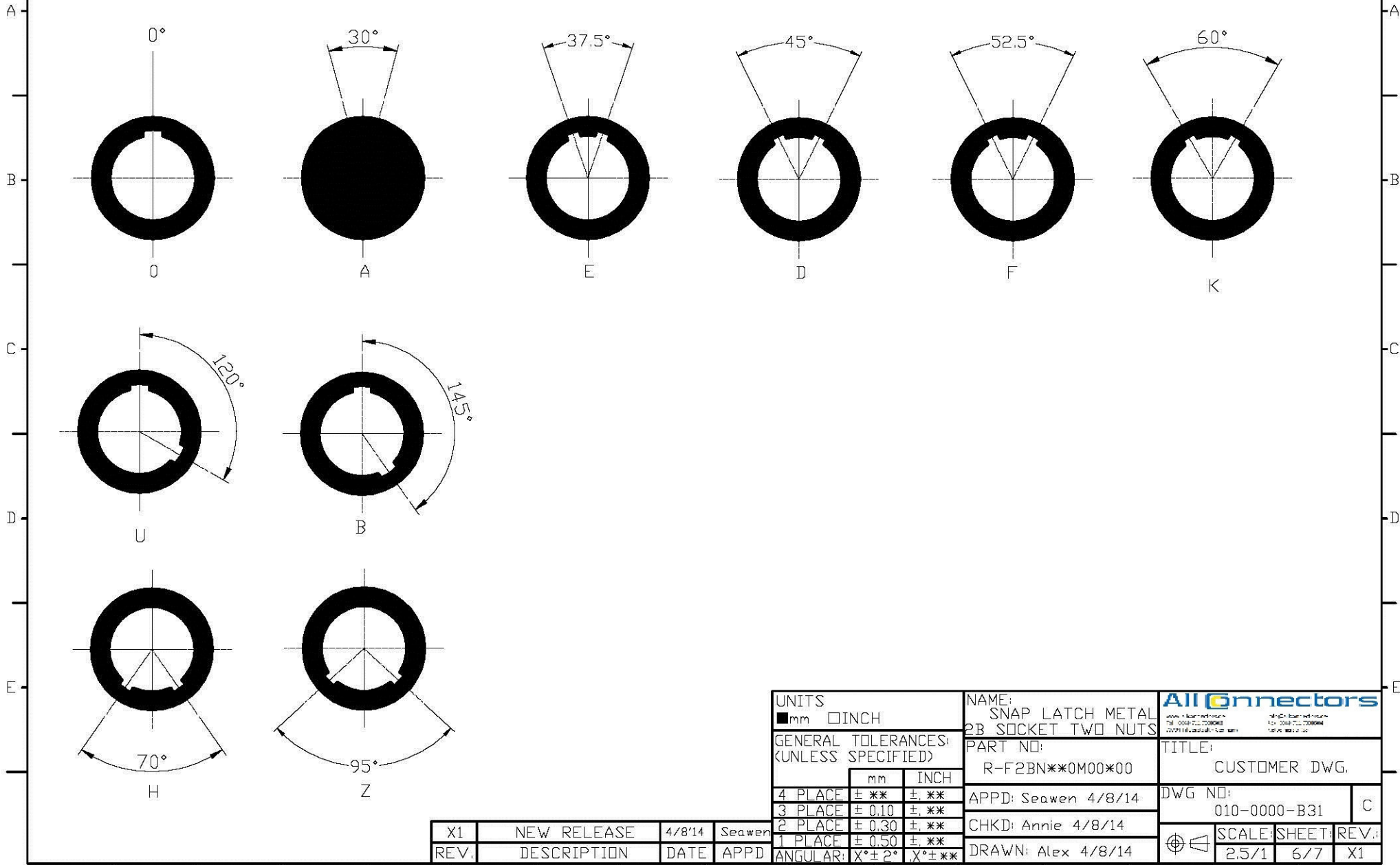
X1	NEW RELEASE	3/15/14	Seawen
REV.	DESCRIPTION	DATE	APPD



UNITS <input checked="" type="checkbox"/> mm <input type="checkbox"/> INCH		NAME: SNAP LATCH METAL 2B SOCKET TWO NUTS			
GENERAL TOLERANCES: (UNLESS SPECIFIED)		PART NO: R-F2BN**0*00*00		TITLE: CUSTOMER DWG.	
		mm	INCH	APPD: Seawen 3/15/14	DWG NO: 010-0000-B31
4 PLACE	± **	± **		CHKD: Annie 3/15/14	SCALE: SHEET: REV.: 2.5/1 5/7 X1
3 PLACE	± 0.10	± **		DRAWN: Alex 3/15/14	
2 PLACE	± 0.30	± **			
1 PLACE	± 0.50	± **			
ANGULAR:	X° ± 2°	X° ± **			

X1	NEW RELEASE	3/15/14	Seawen
REV.	DESCRIPTION	DATE	APPD

KEY ANGLES (RECEPTACLE FRONT VIEW):



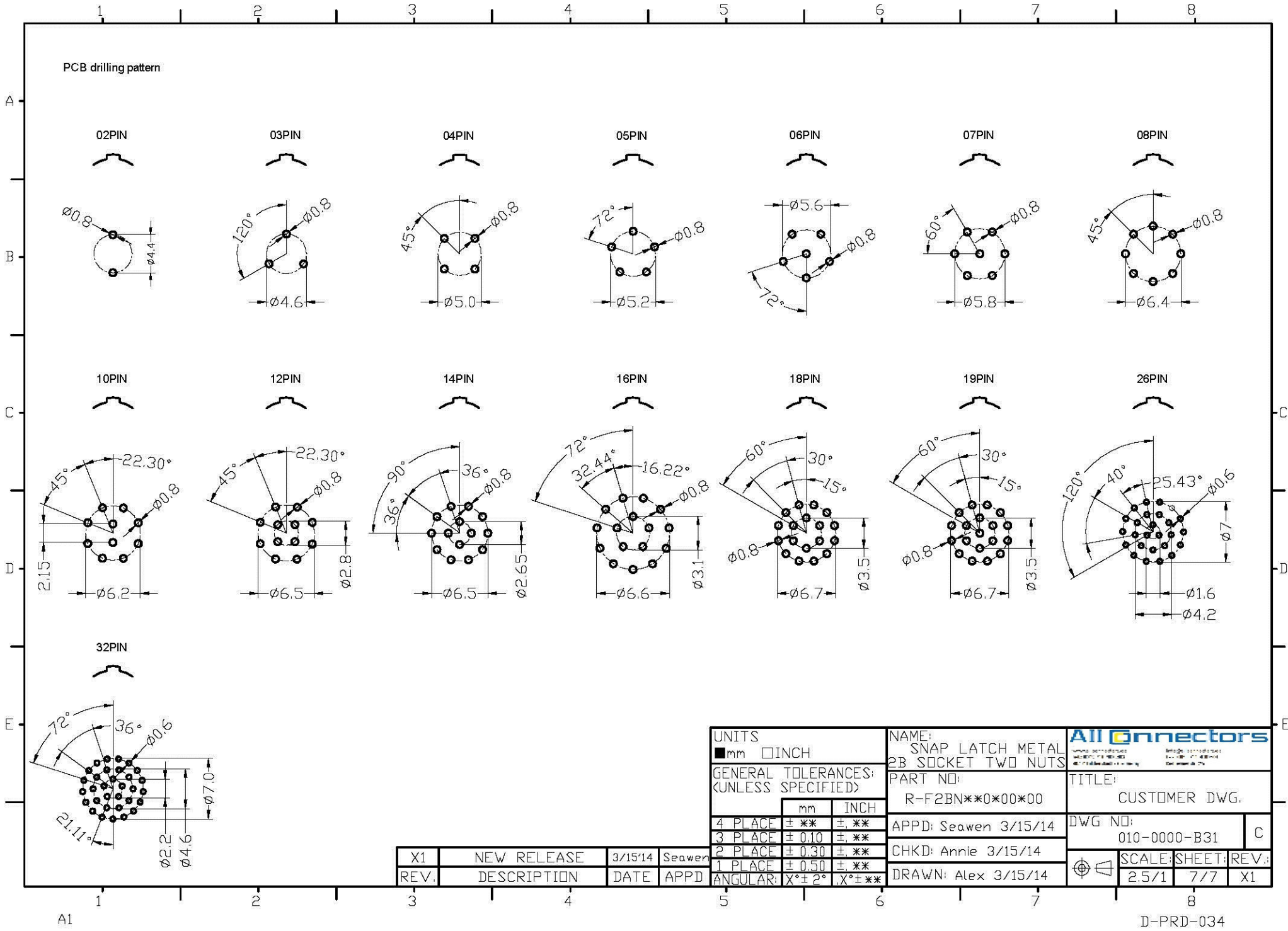
UNITS	
<input checked="" type="checkbox"/> mm	<input type="checkbox"/> INCH
GENERAL TOLERANCES: (UNLESS SPECIFIED)	
	mm INCH
4 PLACE	± **. ** ± **. **
3 PLACE	± 0.10 ± **. **
2 PLACE	± 0.30 ± **. **
1 PLACE	± 0.50 ± **. **
ANGULAR:	X° ± 2° X° ± **. **

NAME: SNAP LATCH METAL 2B SOCKET TWO NUTS
PART NO: R-F2BN**0M00*00
APPD: Seawen 4/8/14
CHKD: Annie 4/8/14
DRAWN: Alex 4/8/14

TITLE: CUSTOMER DWG.		
DWG NO: 010-0000-B31		C
SCALE: 2.5/1	SHEET: 6/7	REV.: X1

X1	NEW RELEASE	4/8'14	Seawen
REV.	DESCRIPTION	DATE	APPD

PCB drilling pattern



UNITS	
<input checked="" type="checkbox"/> mm	<input type="checkbox"/> INCH
GENERAL TOLERANCES: (UNLESS SPECIFIED)	
4 PLACE	±.*** ±.***
3 PLACE	±.010 ±.***
2 PLACE	±.030 ±.***
1 PLACE	±.050 ±.***
ANGULAR:	X°±2° X°±***

NAME:	SNAP LATCH METAL 2B SOCKET TWO NUTS
PART NO:	R-F2BN**0*00*00
APPD:	Seawen 3/15/14
CHKD:	Annie 3/15/14
DRAWN:	Alex 3/15/14

TITLE: CUSTOMER DWG.		
DWG NO: 010-0000-B31		C
SCALE: 2.5/1	SHEET: 7/7	REV.: X1

X1	NEW RELEASE	3/15/14	Seawen
REV.	DESCRIPTION	DATE	APPD