

NOTE:

- MATERIAL AND FINISH  
SHELL ASSEMBLY: COPPER ALLOY, OUTER SHELL AND COLLECT NUT Cr PLATING, OTHER METALLIC COMPONENTS Ni PLATING  
INSULATOR: PEEK  
CONTACT: COPPER ALLOY, GOLD PLATING OVER Ni
- DURABILITY: 5000 CYCLES
- PROTECTION INDEX(MATED): IP66/IP68, IP68 ACHIEVED PROVIDING THAT THE CABLE IS PERFECTLY CIRCULAR AND THAT ASSEMBLY PROCESS ENSURES A HIGH INTEGRITY SEAL.
- HUMIDITY: UP TO 95% AT 60°C
- TEMPERATURE: -55°C,+200°C
- ROHS COMPLIANCE
- PART NO.

R - F 1 K F \* \* 0 4 C 1 0 \* \*

PRODUCT TYPE  
F=SNAP LATCH METAL

PRODUCT STYLE  
1K=1K STYLE

PRODUCT MODEL  
F=FLOATING SOCKET

NUMBER OF CONTACTS  
02=02PIN  
SEE TABLE

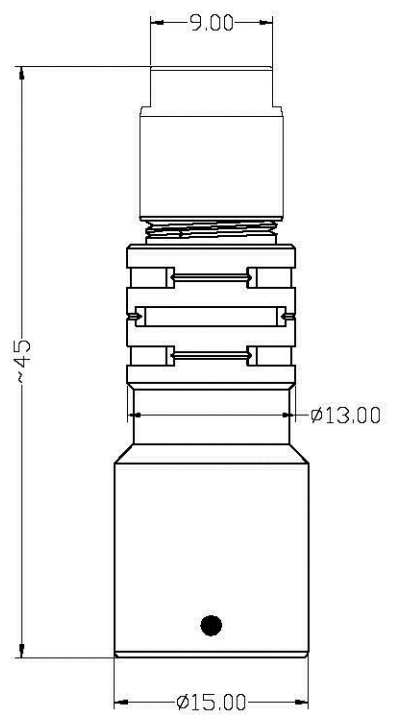
CABLE ØD

15=ØD:	1.3mm-1.5mm	45=ØD:	4.1mm-4.5mm
20=ØD:	1.6mm-2.0mm	50=ØD:	4.6mm-5.0mm
25=ØD:	2.1mm-2.5mm	55=ØD:	5.1mm-5.5mm
30=ØD:	2.6mm-3.0mm	60=ØD:	5.6mm-6.0mm
35=ØD:	3.1mm-3.5mm	65=ØD:	6.1mm-6.5mm
40=ØD:	3.6mm-4.0mm		

CONTACT PLATING  
4=Au 20u"

POSITIONS	02 PIN	03 PIN	04 PIN	05 PIN	06 PIN	07 PIN	08 PIN	10 PIN	14 PIN	16 PIN
VIEW FROM TERMINATION SIDE PIN PART										

UNITS ■mm □INCH		NAME: SNAP LATCH METAL 1K FLOATING SOCKET		All Connectors	
GENERAL TOLERANCES: (UNLESS SPECIFIED)		PART NO: R-F1KS**04C10**		TITLE: CUSTOMER DWG.	
	mm	INCH	APPD: Seawen 04/08/13		DWG NO: 010-0000-B36
4 PLACE	±**	±**	CHKD: Peter 04/08/13		C
3 PLACE	±0.30	±**	DRAWN: Alex 04/08/13		
2 PLACE	±0.50	±**			
1 PLACE	±0.80	±**			
ANGULAR:	X°±2°	X°±**			
REV.	DESCRIPTION	DATE	APPD	SCALE:	SHEET:
X1	NEW RELEASE	04/08/13	Seawen	2.5/1	1/2
					REV.:
					X1



NOTE:

- MATERIAL AND FINISH  
SHELL ASSEMBLY: COPPER ALLOY, OUTER SHELL AND COLLECT NUT Cr PLATING, OTHER METALLIC COMPONENTS NI PLATING  
INSULATOR: PEEK  
CONTACT: COPPER ALLOY, GOLD PLATING OVER NI
- DURABILITY: 5000 CYCLES
- PROTECTION INDEX(MATED): IP66/IP68, IP68 ACHIEVED PROVIDING THAT THE CABLE IS PERFECTLY CIRCULAR AND THAT ASSEMBLY PROCESS ENSURES A HIGH INTEGRITY SEAL.
- HUMIDITY: UP TO 95% AT 60°C
- TEMPERATURE: -55°C,+200°C
- ROHS COMPLIANCE
- PART NO.

R - F 1 K F \* \* 0 4 C 2 0 \* \*

PRODUCT TYPE  
F=SNAP LATCH METAL

PRODUCT STYLE  
1K=1K STYLE

PRODUCT MODEL  
F=FLOATING SOCKET

NUMBER OF CONTACTS  
02=02PIN  
SEE TABLE

CABLE OD

15=OD: 1.3mm-1.5mm	45=OD: 4.1mm-4.5mm
20=OD: 1.6mm-2.0mm	50=OD: 4.6mm-5.0mm
25=OD: 2.1mm-2.5mm	55=OD: 5.1mm-5.5mm
30=OD: 2.6mm-3.0mm	60=OD: 5.6mm-6.0mm
35=OD: 3.1mm-3.5mm	65=OD: 6.1mm-6.5mm
40=OD: 3.6mm-4.0mm	

POSITIONS	02 PIN	03 PIN	04 PIN	05 PIN	06 PIN	07 PIN	08 PIN	10 PIN	14 PIN	16 PIN
VIEW FROM TERMINATION SIDE PIN PART										

UNITS ■mm □INCH		NAME: <b>SNAP LATCH METAL 1K FLOATING SOCKET</b>		<b>All Connectors</b> <small>www.allconnectors.com</small>	
GENERAL TOLERANCES: (UNLESS SPECIFIED)		PART NO: R-F1KS**04C20**		TITLE: CUSTOMER DWG.	
		APPD: Seawen 04/08/13		DWG NO: 010-0000-B36	
		CHKD: Peter 04/08/13		SCALE: SHEET: REV.:	
		DRAWN: Alex 04/08/13		2.5/1 2/2 X1	

REV.	DESCRIPTION	DATE	APPD
X1	NEW RELEASE	04/08/13	Seawen