

NOTE:

- MATERIAL AND FINISH
SHELL ASSEMBLY: COPPER ALLOY, OUTER SHELL AND COLLECT NUT Cr PLATING, OTHER METALLIC COMPONENTS NI PLATING
INSULATOR: PEEK
CONTACT: COPPER ALLOY, GOLD PLATING OVER NI
- DURABILITY: 5000 CYCLES
- PROTECTION INDEX(MATED): IP66/IP68, IP68 ACHIEVED PROVIDING THAT THE CABLE IS PERFECTLY CIRCULAR AND THAT ASSEMBLY PROCESS ENSURES A HIGH INTEGRITY SEAL.
- HUMIDITY: UP TO 95% AT 60°C
- TEMPERATURE: -55°C,+200°C
- ROHS COMPLIANCE
- PART NO.

R - F 1 K S * * 0 2 C 1 0 * *

PRODUCT TYPE
F=SNAP LATCH METAL

PRODUCT STYLE
1K=1K STYLE

PRODUCT MODEL
S=STRAIGHT PLUG

NUMBER OF CONTACTS
02=02PIN
SEE TABLE

CABLE ØD

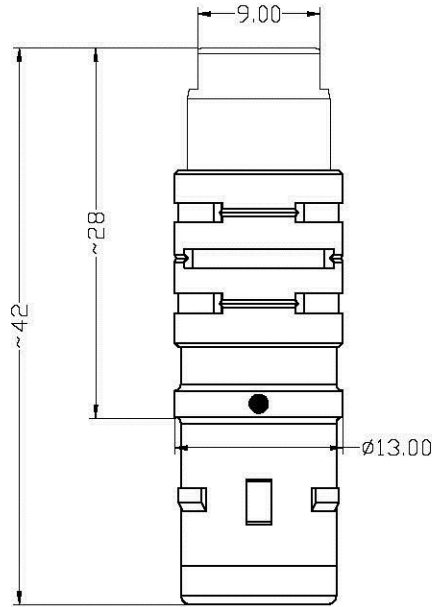
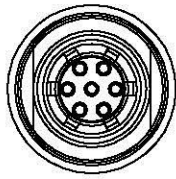
15=ØD: 1.3mm-1.5mm 45=ØD: 4.1mm-4.5mm
20=ØD: 1.6mm-2.0mm 50=ØD: 4.6mm-5.0mm
25=ØD: 2.1mm-2.5mm 55=ØD: 5.1mm-5.5mm
30=ØD: 2.6mm-3.0mm 60=ØD: 5.6mm-6.0mm
35=ØD: 3.1mm-3.5mm 65=ØD: 6.1mm-6.5mm
40=ØD: 3.6mm-4.0mm

CONTACT PLATING
2=Au 20u"

| POSITIONS | 02 PIN | 03 PIN | 04 PIN | 05 PIN | 06 PIN | 07 PIN | 08 PIN | 10 PIN | 14 PIN | 16 PIN |
|--|--------|--------|--------|--------|--------|--------|--------|--------|--------|--------|
| VIEW FROM TERMINATION SIDE PIN PART | | | | | | | | | | |

| | | | |
|---|--------------------------------------|--|--|
| UNITS ■mm □INCH | NAME: SNAP LATCH METAL 1K PLUG | All Connectors www.allconnectors.co.uk Tel: 0549 711 7995 1000a allconnectors.com | |
| GENERAL TOLERANCES: (UNLESS SPECIFIED) | PART NO: R-F1KS**02C10** | TITLE: CUSTOMER DWG. | |
| | APPD: Seawen 04/08/13 | DWG NO: 010-0000-B34 | |
| | CHKD: Peter 04/08/13 | SCALE: SHEET: REV: 2.5/1 1/2 X1 | |
| | DRAWN: Alex 04/08/13 | | |

| REV. | DESCRIPTION | DATE | APPD |
|------|-------------|----------|--------|
| X1 | NEW RELEASE | 04/08/13 | Seawen |



NOTE:

1. MATERIAL AND FINISH
SHELL ASSEMBLY: COPPER ALLOY, OUTER SHELL AND COLLECT NUT Cr PLATING, OTHER METALLIC COMPONENTS NI PLATING
INSULATOR: PEEK
CONTACT: COPPER ALLOY, GOLD PLATING OVER NI
2. DURABILITY: 5000 CYCLES
3. PROTECTION INDEX(MATED): IP66/IP68, IP68 ACHIEVED PROVIDING THAT THE CABLE IS PERFECTLY CIRCULAR AND THAT ASSEMBLY PROCESS ENSURES A HIGH INTEGRITY SEAL.
4. HUMIDITY: UP TO 95% AT 60°C
5. TEMPERATURE: -55°C,+200°C
6. ROHS COMPLIANCE
7. PART NO.

R - F 1 K S * * 0 2 C 2 0 * *

PRODUCT TYPE
F=SNAP LATCH METAL

PRODUCT STYLE
1K=1K STYLE

PRODUCT MODEL
S=STRAIGHT PLUG

NUMBER OF CONTACTS
02=02PIN
SEE TABLE

CABLE ØD

15=ØD: 1.3mm-1.5mm 45=ØD: 4.1mm-4.5mm
20=ØD: 1.6mm-2.0mm 50=ØD: 4.6mm-5.0mm
25=ØD: 2.1mm-2.5mm 55=ØD: 5.1mm-5.5mm
30=ØD: 2.6mm-3.0mm 60=ØD: 5.6mm-6.0mm
35=ØD: 3.1mm-3.5mm 65=ØD: 6.1mm-6.5mm
40=ØD: 3.6mm-4.0mm

CONTACT PLATING
2=Au 20u"

| POSITIONS | 02 PIN | 03 PIN | 04 PIN | 05 PIN | 06 PIN | 07 PIN | 08 PIN | 10 PIN | 14 PIN | 16 PIN |
|--|--------|--------|--------|--------|--------|--------|--------|--------|--------|--------|
| VIEW FROM TERMINATION SIDE PIN PART | | | | | | | | | | |

| | | |
|---|--------------------------------------|------------------------------------|
| UNITS <input checked="" type="checkbox"/> mm <input type="checkbox"/> INCH | NAME: SNAP LATCH METAL 1K PLUG | |
| GENERAL TOLERANCES: (UNLESS SPECIFIED) | PART NO: R-F1KS**02C20** | TITLE: CUSTOMER DWG. |
| | APPD: Seawen 04/08/13 | DWG NO: 010-0000-B34 |
| | CHKD: Peter 04/08/13 | SCALE: SHEET: REV: 2.5/1 2/2 X1 |
| | DRAWN: Alex 04/08/13 | |

| REV. | DESCRIPTION | DATE | APPD |
|------|-------------|----------|--------|
| X1 | NEW RELEASE | 04/08/13 | Seawen |