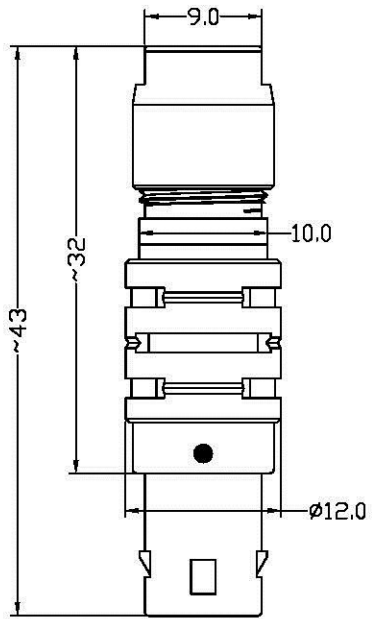
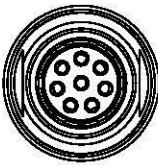


1 2 3 4 5 6 7 8



NOTE:
 1. MATERIAL AND FINISH
 SHELL ASSEMBLY: COPPER ALLOY, OUTER SHELL AND COLLET NUT
 NUT Cr PLATING, OTHER METALLIC COMPONENTS
 NI PLATING
 INSULATOR: PEEK
 CONTACT: COPPER ALLOY, GOLD PLATING
 2. ROHS COMPLIANCE

PART NO.

R - F 1 B S X X 0 2 D 2 * * *

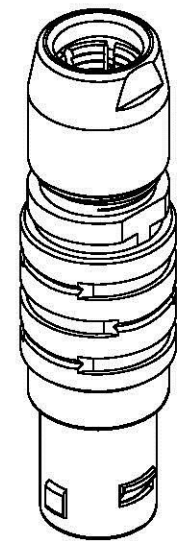
Contact Pos.
02-16=2pin-16pin

Shell Material
0=Brass

Contact Plating
2=Gold 20u"

Collet Nut
2=Nut for Standard

Cable OD
 042=OD: 3.1mm-4.0mm
 052=OD: 4.1mm-5.0mm
 062=OD: 5.1mm-6.0mm
 072=OD: 6.1mm-7.0mm
 076=OD: 7.1mm-7.5mm

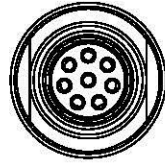


positions	02 PIN	03 PIN	04 PIN	05 PIN	06 PIN	07 PIN	08 PIN	10 PIN	14 PIN	16 PIN
view from termination side pin part										

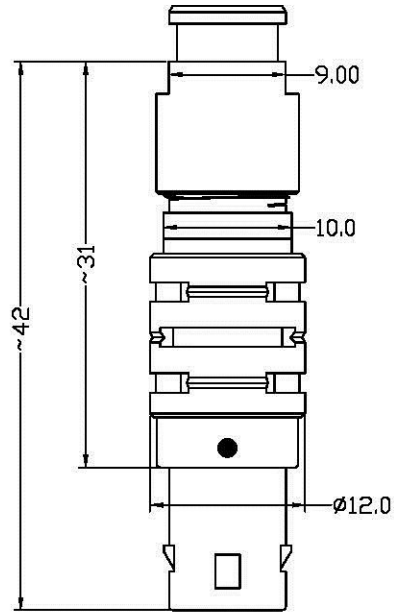
UNITS <input checked="" type="checkbox"/> mm <input type="checkbox"/> INCH	NAME: SNAP LATCH METAL 1B PLUG	All Connectors <small>www.allconnectors.com</small> <small>14510012110000</small> <small>30000000000000000000</small>	
GENERAL TOLERANCES: (UNLESS SPECIFIED)	PART NO: R-F1BS**02D2***	TITLE: CUSTOMER DWG.	
	APPD: Seawen 3/30/13	DWG NO: 010-0000-937	
	CHKD: Peter 3/30/13	SCALE: SHEET: REV: 2.5/1 1/2 X1	
	DRAWN: Camby 3/30/13		

X1	NEW RELEASE	3/30/13	Seawen
REV.	DESCRIPTION	DATE	APPD

1 2 3 4 5 6 7 8



NOTE:
 1. MATERIAL AND FINISH
 SHELL ASSEMBLY: COPPER ALLOY, OUTER SHELL AND COLLET NUT
 NUT Cr PLATING, OTHER METALLIC COMPONENTS
 NI PLATING
 INSULATOR: PEEK
 CONTACT: COPPER ALLOY, GOLD PLATING
 2. ROHS COMPLIANCE



PART NO.

R - F 1 B S X X 0 2 D 1 * * *

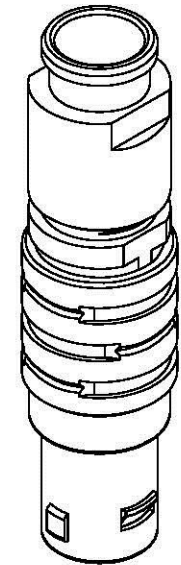
Contact Pos.
02-16=2pin-16pin

Shell Material
0=Brass

Contact Plating
2=Gold 20u"

Collet Nut
1=Nut for fitting a bend relief

Cable OD
 042=OD: 3.1mm-4.0mm
 052=OD: 4.1mm-5.0mm
 062=OD: 5.1mm-6.0mm
 072=OD: 6.1mm-7.0mm
 076=OD: 7.1mm-7.5mm



positions	02 PIN	03 PIN	04 PIN	05 PIN	06 PIN	07 PIN	08 PIN	10 PIN	14 PIN	16 PIN
view from termination side pin part										

UNITS <input checked="" type="checkbox"/> mm <input type="checkbox"/> INCH	
GENERAL TOLERANCES: (UNLESS SPECIFIED)	
	mm INCH
4 PLACE	±** ±**
3 PLACE	±0.30 ±**
2 PLACE	±0.50 ±**
1 PLACE	±0.80 ±**
ANGULAR	X°±2° X°±**

NAME: SNAP LATCH METAL 1B PLUG
PART NO: R-F1BS**02D1***
APPD: Seawen 3/30/13
CHKD: Peter 3/30/13
DRAWN: Camby 3/30/13

Allconnectors	
TITLE: CUSTOMER DWG.	
DWG NO: 010-0000-937	
SCALE: 2.5/1	SHEET: 2/2
REV: X1	

X1	NEW RELEASE	3/30/13	Seawen
REV.	DESCRIPTION	DATE	APPD