

NOTE:

- MATERIAL AND FINISH
SHELL ASSEMBLY: COPPER ALLOY, OUTER SHELL Cr PLATING,
OTHER METALLIC COMPONENTS NI PLATING
INSULATOR: PEEK
CONTACT: COPPER ALLOY, GOLD PLATING
- ROHS COMPLIANCE

PART NO.

R - F 1 B F X X 0 4 D 2 X X X

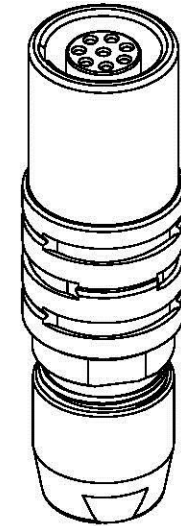
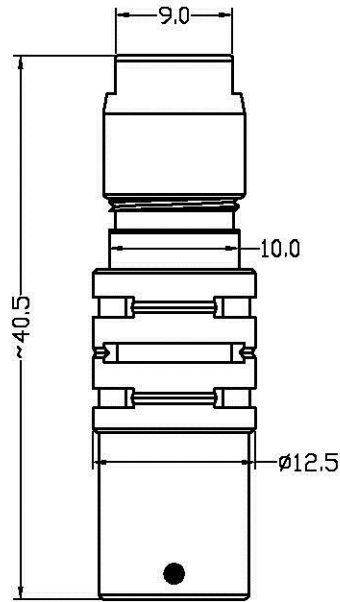
Contact Pos.
02-09=2pin-09pin

Shell Material
0=Brass

Contact Plating
4=Gold 20u"

Collet Nut
2=Nut for standard

Cable OD
042=OD: 3.1mm-4.0mm
052=OD: 4.1mm-5.0mm
062=OD: 5.1mm-6.0mm
072=OD: 6.1mm-7.0mm
076=OD: 7.1mm-7.5mm



positions	02 PIN	03 PIN	04 PIN	05 PIN	06 PIN	07 PIN	08 PIN	10 PIN	14 PIN	16 PIN
view from termination side socket part										

UNITS
 mm INCH

GENERAL TOLERANCES:
(UNLESS SPECIFIED)

	mm	INCH
4 PLACE	±.05	±.002
3 PLACE	±0.30	±.012
2 PLACE	±0.50	±.020
1 PLACE	±0.80	±.031
ANGULAR	X°±2°	X°±.075°

NAME: SNAP LATCH METAL
1B FLOATING SOCKET

PART NO:
R-F1BF**04D2***

APPD: Seawen 3/30/13

CHKD: Peter 3/30/13

DRAWN: Camby 3/30/13

Allconnectors

INCORPORATED
11111 WOODS
WWW.ALLCONNECTORS.COM

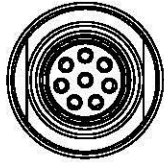
TITLE:
CUSTOMER DWG.

DWG NO:
010-0000-B25

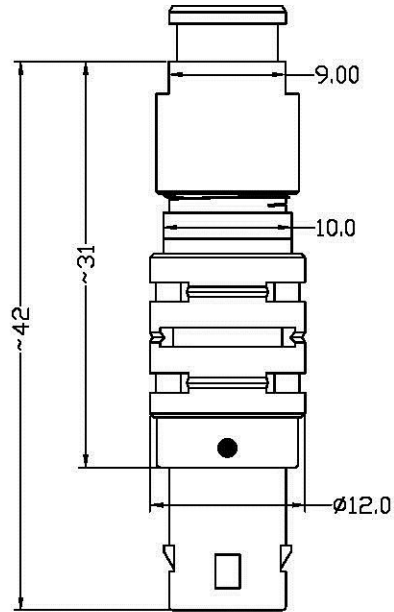
SCALE: SHEET: REV:
2.5/1 1/2 X1

REV.	DESCRIPTION	DATE	APPD
X1	NEW RELEASE	3/30/13	Seawen

1 2 3 4 5 6 7 8



NOTE:
 1. MATERIAL AND FINISH
 SHELL ASSEMBLY: COPPER ALLOY, OUTER SHELL AND COLLET NUT
 NUT Cr PLATING, OTHER METALLIC COMPONENTS
 NI PLATING
 INSULATOR: PEEK
 CONTACT: COPPER ALLOY, GOLD PLATING
 2. ROHS COMPLIANCE



PART NO.

R - F 1 B S X X 0 2 D 1 * * *

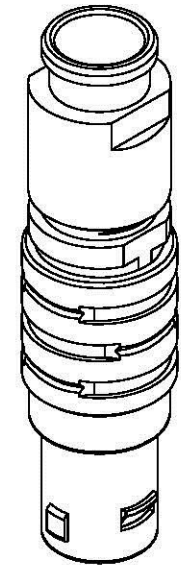
Contact Pos.
02-16=2pin-16pin

Shell Material
0=Brass

Contact Plating
2=Gold 20u"

Collet Nut
1=Nut for fitting a bend relief

Cable OD
 042=OD: 3.1mm-4.0mm
 052=OD: 4.1mm-5.0mm
 062=OD: 5.1mm-6.0mm
 072=OD: 6.1mm-7.0mm
 076=OD: 7.1mm-7.5mm



positions	02 PIN	03 PIN	04 PIN	05 PIN	06 PIN	07 PIN	08 PIN	10 PIN	14 PIN	16 PIN
view from termination side pin part										

UNITS <input checked="" type="checkbox"/> mm <input type="checkbox"/> INCH		
GENERAL TOLERANCES: (UNLESS SPECIFIED)		
	mm	INCH
4 PLACE	±**	±**
3 PLACE	±0.30	±**
2 PLACE	±0.50	±**
1 PLACE	±0.80	±**
ANGULAR	X°±2°	X°±**

NAME: SNAP LATCH METAL 1B PLUG
PART NO: R-F1BS**02D1***
APPD: Seawen 3/30/13
CHKD: Peter 3/30/13
DRAWN: Camby 3/30/13

Allconnectors		
TITLE: CUSTOMER DWG.		
DWG NO: 010-0000-937		C
SCALE: 2.5/1	SHEET: 2/2	REV: X1

X1	NEW RELEASE	3/30/13	Seawen
REV.	DESCRIPTION	DATE	APPD