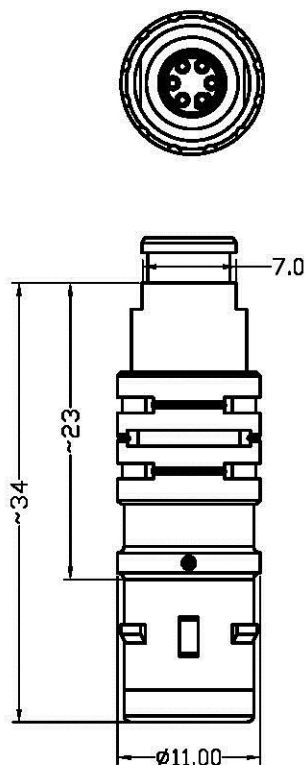


**NOTE:**

1. MATERIAL AND FINISH  
SHELL ASSEMBLY: COPPER ALLOY, OUTER SHELL AND COLLECT NUT Cr PLATING, OTHER METALLIC COMPONENTS NI PLATING  
INSULATOR: PEEK  
CONTACT: COPPER ALLOY, GOLD PLATING OVER NI
2. DURABILITY: 5000 CYCLES
3. PROTECTION INDEX(MATED): IP66/IP68, IP68 ACHIEVED PROVIDING THAT THE CABLE IS PERFECTLY CIRCULAR AND THAT ASSEMBLY PROCESS ENSURES A HIGH INTEGRITY SEAL.
4. HUMIDITY: UP TO 95% AT 60°C
5. TEMPERATURE: -55°C,+200°C
6. ROHS COMPLIANCE
7. PART NO.



R - F O K S \* \* 0 2 C 1 0 \* \*

PRODUCT TYPE  
F=SNAP LATCH METAL

PRODUCT STYLE  
OK=OK STYLE

PRODUCT MODEL  
S=STRAIGHT PLUG

NUMBER OF CONTACTS  
02=02PIN  
SEE TABLE

CABLE ØD  
10=ØD: 1.0mm-1.2mm  
15=ØD: 1.3mm-1.5mm  
20=ØD: 1.6mm-2.0mm  
25=ØD: 2.1mm-2.5mm  
30=ØD: 2.6mm-3.0mm  
35=ØD: 3.1mm-3.5mm  
40=ØD: 3.6mm-4.0mm  
45=ØD: 4.1mm-4.5mm  
50=ØD: 4.6mm-5.0mm

CONTACT PLATING  
2=Au 20u"

POSITIONS	02 PIN	03 PIN	04 PIN	05 PIN	06 PIN	07 PIN	09 PIN
VIEW FROM TERMINATION SIDE PIN PART							

UNITS  
 mm  INCH

GENERAL TOLERANCES:  
(UNLESS SPECIFIED)

	mm	INCH
4 PLACE	±.15	±.006
3 PLACE	± 0.30	±.012
2 PLACE	± 0.50	±.020
1 PLACE	± 0.80	±.031
ANGULAR	X°± 2°	X°±.075

NAME:  
SNAP LATCH METAL  
OK PLUG

PART NO:  
R-FOKS\*\*02C10\*\*

APPD: Seawen 06/11/13

CHKD: Peter 06/11/13

DRAWN: Camby 06/11/13

**All Connectors**

www.allconnectors.com  
 441 Commerce Road  
 20188-1119, Illinois

TITLE:  
CUSTOMER DWG.

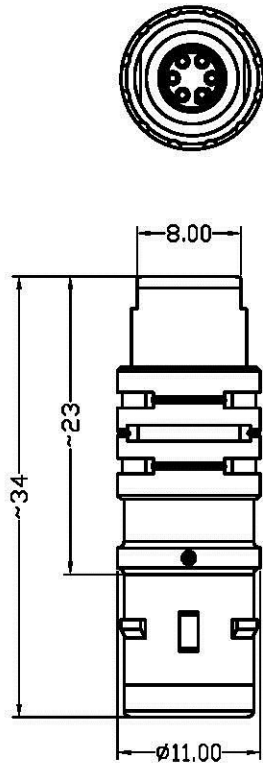
DWG NO:  
010-0000-B85

SCALE: 5/1  
 SHEET: 1/2  
 REV: X1

REV.	DESCRIPTION	DATE	APPD
X1	NEW RELEASE	06/11/13	Seawen

NOTE:

1. MATERIAL AND FINISH  
SHELL ASSEMBLY: COPPER ALLOY, OUTER SHELL AND COLLECT NUT Cr PLATING, OTHER METALLIC COMPONENTS NI PLATING  
INSULATOR: PEEK  
CONTACT: COPPER ALLOY, GOLD PLATING OVER NI
2. DURABILITY: 5000 CYCLES
3. PROTECTION INDEX(MATED): IP66/IP68, IP68 ACHIEVED PROVIDING THAT THE CABLE IS PERFECTLY CIRCULAR AND THAT ASSEMBLY PROCESS ENSURES A HIGH INTEGRITY SEAL.
4. HUMIDITY: UP TO 95% AT 60°C
5. TEMPERATURE: -55°C,+200°C
6. ROHS COMPLIANCE
7. PART NO.



R - F 0 K S \* \* 0 2 C 2 0 \* \*

PRODUCT TYPE  
F=SNAP LATCH METAL

PRODUCT STYLE  
OK=OK STYLE

PRODUCT MODEL  
S=STRAIGHT PLUG

NUMBER OF CONTACTS  
02=02PIN  
SEE TABLE

CABLE OD

- 10=OD: 1.0mm-1.2mm
- 15=OD: 1.3mm-1.5mm
- 20=OD: 1.6mm-2.0mm
- 25=OD: 2.1mm-2.5mm
- 30=OD: 2.6mm-3.0mm
- 35=OD: 3.1mm-3.5mm
- 40=OD: 3.6mm-4.0mm
- 45=OD: 4.1mm-4.5mm
- 50=OD: 4.6mm-5.0mm

CONTACT PLATING  
2=2Au 20u"

POSITIONS	02 PIN	03 PIN	04 PIN	05 PIN	06 PIN	07 PIN	09 PIN
VIEW FROM TERMINATION SIDE PIN PART							

UNITS  
 mm  INCH

GENERAL TOLERANCES:  
(UNLESS SPECIFIED)

	mm	INCH
4 PLACE	±.10	±.004
3 PLACE	±0.30	±.012
2 PLACE	±0.50	±.020
1 PLACE	±0.80	±.031
ANGULAR	X°±2°	X°±.075°

NAME:  
SNAP LATCH METAL  
OK PLUG

PART NO:  
R-F0KS\*\*02C20\*\*

APPD: Seawen 06/11/13

CHKD: Peter 06/11/13

DRAWN: Camby 06/11/13

**All Connectors**  
www.allconnectors.com info@allconnectors.com  
 32794 Alameda Blvd. #40000 Redwood City, CA 94061

TITLE:  
CUSTOMER DWG.

DWG NO:  
010-0000-B85

SCALE: SHEET: REV.:  
5/1 2/2 X1

REV.	DESCRIPTION	DATE	APPD
X1	NEW RELEASE	06/11/13	Seawen