

NOTE:

1. MATERIAL AND FINISH

1.1. SHELL ASSEMBLY: COPPER ALLOY, OUTER SHELL AND COLLET

NUT Cr PLATING, OTHER METALLIC COMPONENTS NI PLATING

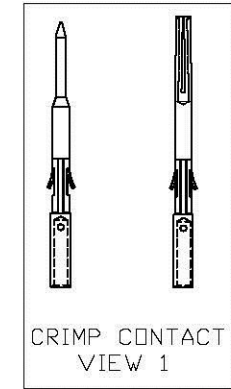
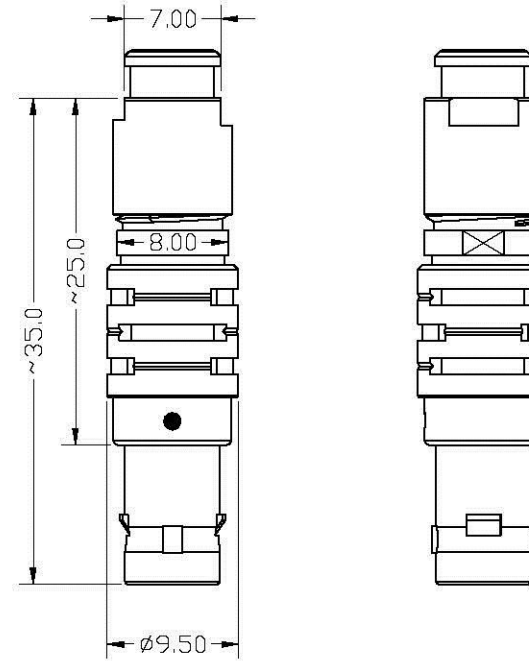
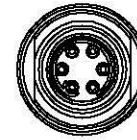
1.2. INSULATOR: PEEK

1.3. CONTACT: COPPER ALLOY, GOLD PLATING

2. RoHS COMPLIANCE

CRIMP CONTACT DETAILS SHOWN IN VIEW 1

4. PART NO:



R - F O B S * * 0 * D 1 * * *

CONTACT POS.	02-09=2pin-09pin
SHELL MATERIAL	0=Brass

CABLE OD	
21=OD:	1.5mm-2.0mm
31=OD:	2.1mm-3.0mm
42=OD:	3.1mm-4.0mm
52=OD:	4.1mm-5.0mm
56=OD:	5.1mm-5.5mm

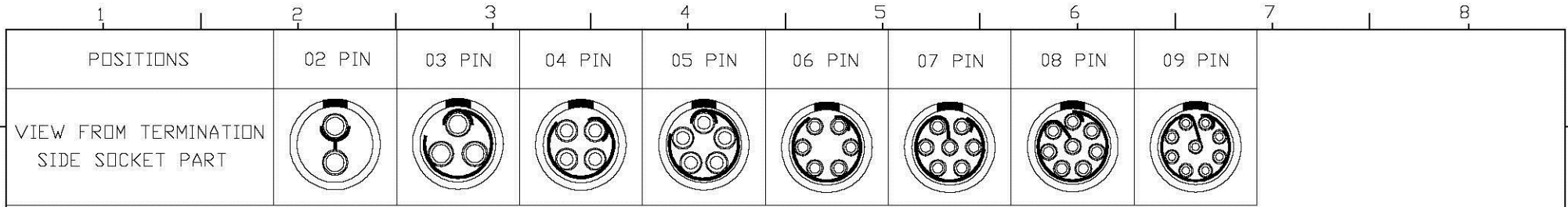
CODE	KEY ANGLES
0	0
A	30°
B	60°
"	"

COLLET NUT
1=Nut for fitting a bend relief

CODE	CONTACT TYPE
2	Male Solder Contact
4	Female Solder Contact
<input checked="" type="checkbox"/> C	Crimp Male Contact
<input checked="" type="checkbox"/> M	Crimp Female Contact
1	Male Print Contact
3	Female Print Contact

UNITS <input checked="" type="checkbox"/> mm <input type="checkbox"/> INCH		NAME: SNAP LATCH METAL 08 PLUG		All Connectors www.allconnectors.com Tel: 0648 711 709800 3074A HIKERDAVE - 9676049	
GENERAL TOLERANCES: (UNLESS SPECIFIED)		PART NO: R-F0BS**0*D1***		TITLE: CUSTOMER DWG.	
	mm	INCH	APPD: Seawen 4/8/14	DWG NO: 010-0000-B20	
4 PLACE	± **.00	± **.00	CHKD: Annie 4/8/14	C	
3 PLACE	± 0.30	± **.00	DRAWN: Alex 4/8/14	SCALE: SHEET: REV.:	
2 PLACE	± 0.50	± **.00		2.5/1	1/3
1 PLACE	± 0.80	± **.00		X1	
ANGULAR:	X° ± 2°	X° ± **.00			

X1	NEW RELEASE	4/8/14	Seawen
REV.	DESCRIPTION	DATE	APPD



NOTE:

1. MATERIAL AND FINISH

1.1. SHELL ASSEMBLY: COPPER ALLOY, OUTER SHELL AND COLLET NUT Cr PLATING, OTHER METALLIC COMPONENTS NI PLATING

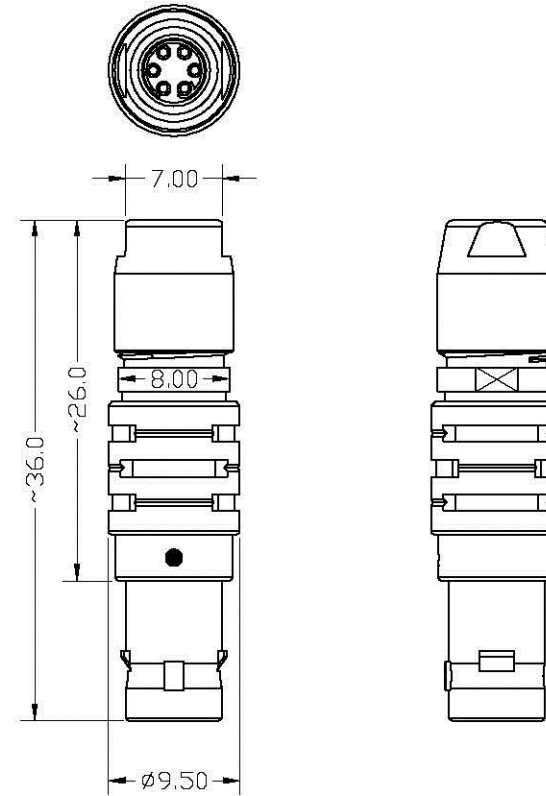
1.2. INSULATOR: PEEK

1.3. CONTACT: COPPER ALLOY, GOLD PLATING

2. RoHS COMPLIANCE

3. CRIMP CONTACT DETAILS SHOWN IN VIEW 1

4. PART NO.



R - F O B S * * 0 * D 2 * * *

CONTACT POS.
02-09=2pin-09pin

SHELL MATERIAL
0=Brass

CODE	CONTACT TYPE
2	Male Solder Contact
4	Female Solder Contact
3	Crimp Male Contact
3	Crimp Female Contact
1	Male Print Contact
3	Female Print Contact

CABLE OD	
21=OD:	1.5mm-2.0mm
31=OD:	2.1mm-3.0mm
42=OD:	3.1mm-4.0mm
52=OD:	4.1mm-5.0mm
56=OD:	5.1mm-5.5mm

CODE	KEY ANGLES
0	0
A	30°
B	60°
..	..

COLLET NUT
2=Nut for Standard

UNITS		
<input checked="" type="checkbox"/> mm	<input type="checkbox"/> INCH	
GENERAL TOLERANCES: (UNLESS SPECIFIED)		
	mm	INCH
4 PLACE	± **.00	± **.00
3 PLACE	± 0.30	± **.00
2 PLACE	± 0.50	± **.00
1 PLACE	± 0.80	± **.00
ANGULAR:	X° ± 2°	X° ± **.00

NAME: SNAP LATCH
METAL 0B PLUG

PART NO:
R-F0BS**0*D2***

APPD: Seawen 4/8/14

CHKD: Annie 4/8/14
DRAWN: Alex 4/8/14



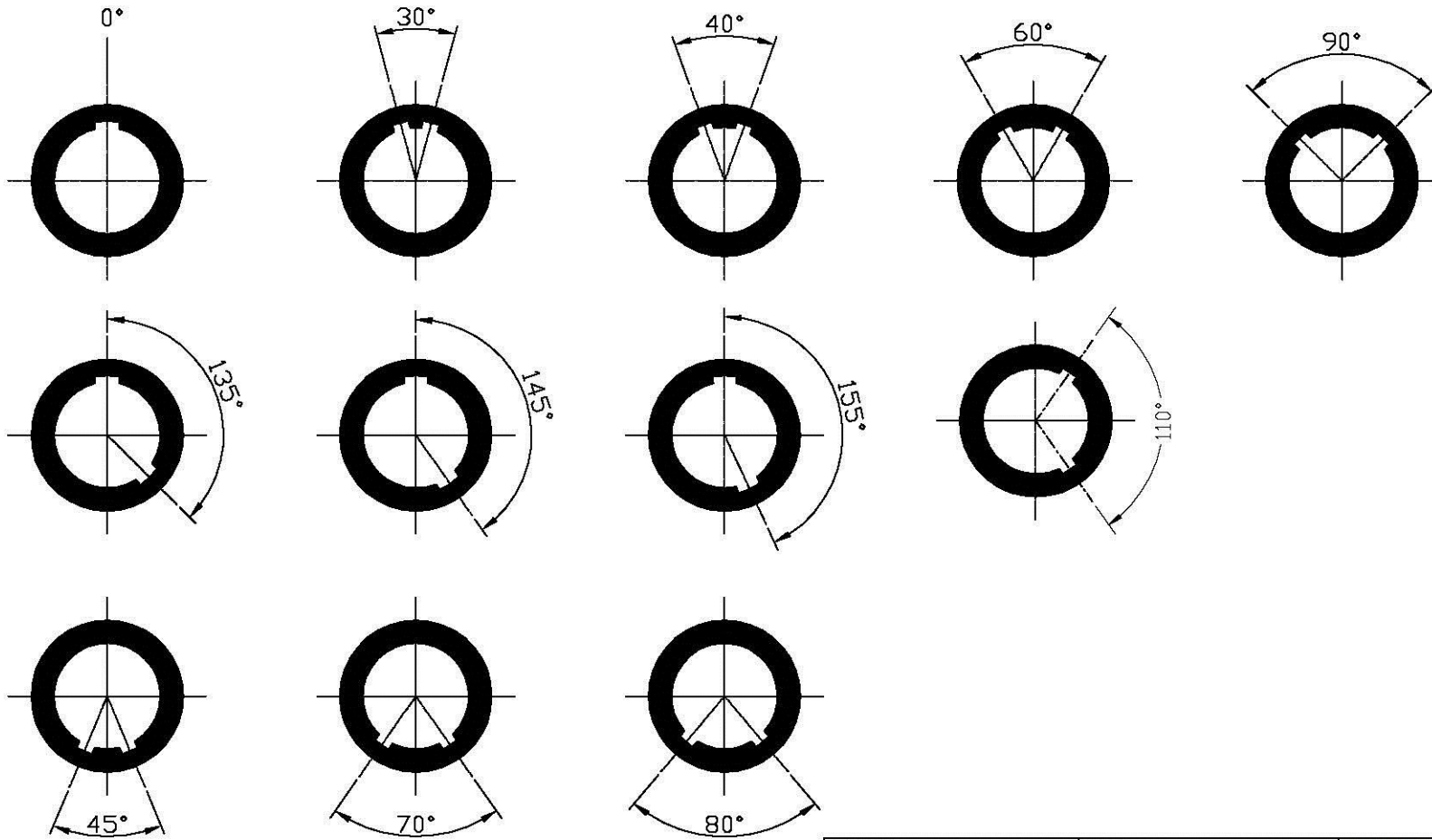
TITLE:
CUSTOMER DWG.

DWG NO:
010-0000-B20

SCALE: SHEET: REV. 1
2.5/1 2/3 X1

REV.	DESCRIPTION	DATE	APPD
X1	NEW RELEASE	4/8/14	Seawen

KEY ANGLES (RECEPTACLE FRONT VIEW)



UNITS <input checked="" type="checkbox"/> mm <input type="checkbox"/> INCH		NAME: SNAP LATCH METAL 0B PLUG			
GENERAL TOLERANCES: (UNLESS SPECIFIED)		PART NO: R-FOBS**0*****		TITLE: CUSTOMER DWG.	
	mm	INCH	APPD: Seawen 4/8/14		DWG NO: 010-0000-B20
4 PLACE	± **.05	± **.002	CHKD: Annie 4/8/14		C
3 PLACE	± 0.30	± **.005	DRAWN: Alex 4/8/14		
2 PLACE	± 0.50	± **.010	SCALE: 2.5/1		SHEET: 3/3
1 PLACE	± 0.80	± **.020	ANGULAR: X° ± 2°		REV: X1

X1	NEW RELEASE	4/8/14	Seawen
REV.	DESCRIPTION	DATE	APPD