

NOTE:

1. MATERIAL AND FINISH

1.1. SHELL ASSEMBLY: COPPER ALLOY, OUTER SHELL AND COLLET NUT Cr PLATING, OTHER METALLIC COMPONENTS NI PLATING

1.2. INSULATOR: PEEK

1.3. CONTACT: COPPER ALLOY, GOLD PLATING

2. RoHS COMPLIANCE

3. PART NO.

No. OF CONTACTS	ØA	L
02,03	0.7	3.2
04,05...08,09	0.5	3.2

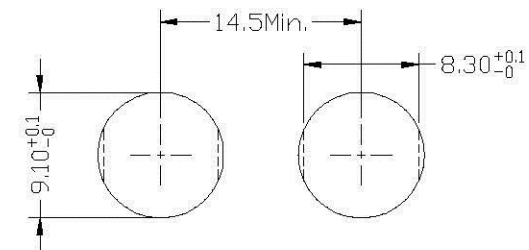
R - F 0 B R \* \* 0 \* 0 0 \* 0 0

CONTACT POS.
02-09=2pin-09pin

SHELL MATERIAL
0=Brass

CODE	KEY ANGLES
0	0
A	30°
B	60°
"	"

CODE	CONTACT TYPE
2	Male Solder Contact
4	Female Solder Contact
C	Crimp Male Contact
M	Crimp Female Contact
1	Male Print Contact
3	Female Print Contact

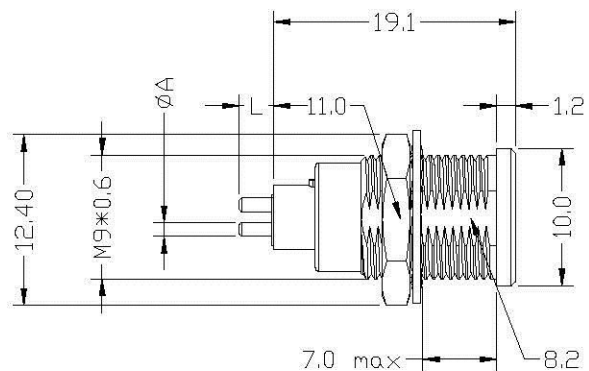


PANEL CUT-OUT

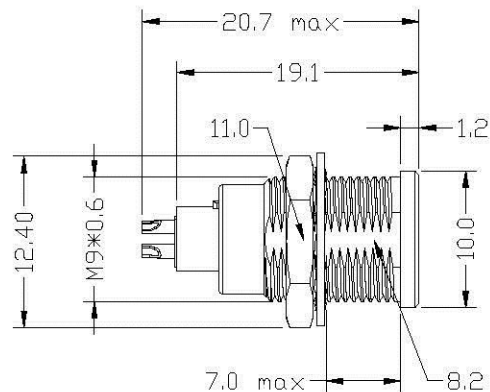
UNITS ■ mm □ INCH	NAME: SNAP LATCH METAL 08 FIXED SOCKET		<b>All Connectors</b> <small>www.allconnectors.com</small>	
	PART NO: R-F0BR**0*00*00		TITLE: CUSTOMER DWG.	
GENERAL TOLERANCES: (UNLESS SPECIFIED)		APPD: Seawen 6/13/14	DWG NO: 010-0000-B22	
	mm	INCH	CHKD: Annie 6/13/14	C
4 PLACE	± **	± **	DRAWN: Alex 6/13/14	SCALE: SHEET: REV.:
3 PLACE	± 0.10	± **		2.5/1 1/4 X1
2 PLACE	± 0.30	± **		
1 PLACE	± 0.50	± **		
ANGULAR:	X° ± 2°	X° ± **		

X1	NEW RELEASE	6/13/14	Seawen
REV.	DESCRIPTION	DATE	APPD

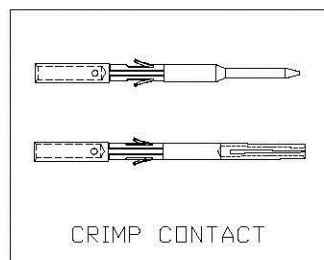
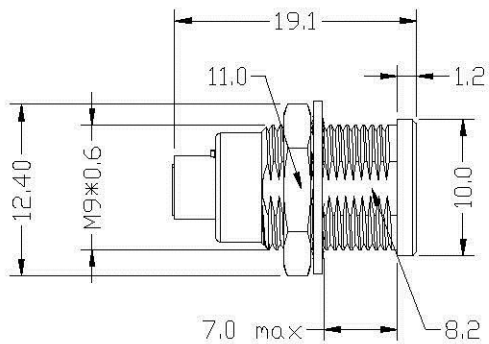
OB FIXED SOCKET  
PRINT CONTACT TYPE VIEW



OB FIXED SOCKET  
SOLDER CONTACT TYPE VIEW



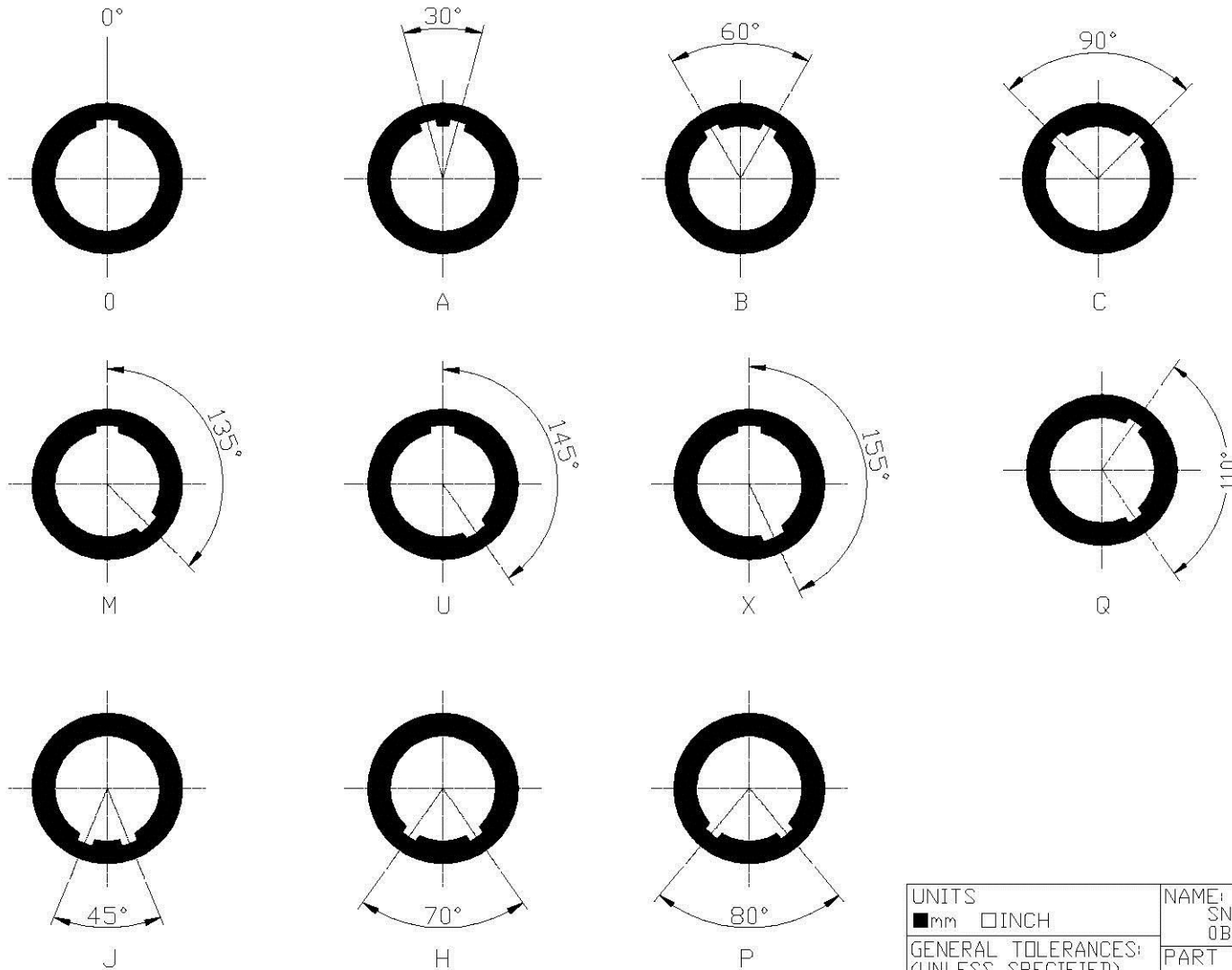
OB FIXED SOCKET  
CRIMP CONTACT TYPE VIEW



UNITS ■ mm □ INCH		NAME: SNAP LATCH METAL OB FIXED SOCKET			
GENERAL TOLERANCES: (UNLESS SPECIFIED)		PART NO: R-F0BR**0*00*00		TITLE: CUSTOMER DWG.	
	mm	INCH	APPD:Seawen 6/13'14	DWG NO: 010-0000-B22	
4 PLACE	± **.10	± **.004	CHKD:Annie 6/13'14	C	
3 PLACE	± 0.10	± **.004	DRAWN: Alex 6/13'14	SCALE: SHEET: REV.:	
2 PLACE	± 0.30	± **.004		2.5/1	2/4
1 PLACE	± 0.50	± **.004			X1
ANGULAR:	X° ± 2°	X° ± **.004			

X1	NEW RELEASE	6/13'14	Seawen
REV.	DESCRIPTION	DATE	APPD

KEY ANGLES (RECEPTACLE FRONT VIEW)

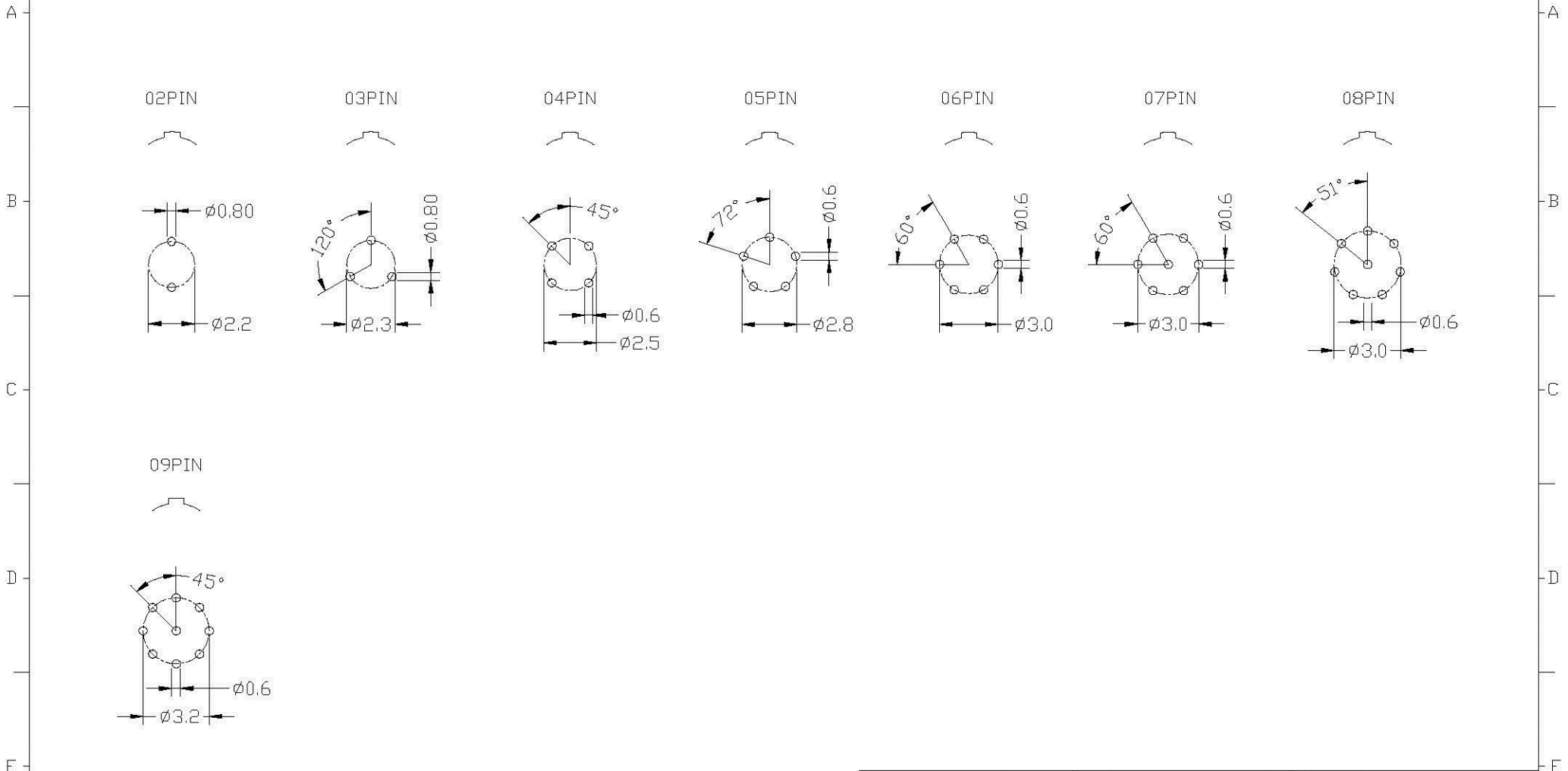


UNITS ■ mm □ INCH		NAME: SNAP LATCH METAL 0B FIXED SOCKET			
GENERAL TOLERANCES: (UNLESS SPECIFIED)		PART NO: R-F0BR**0*00*00		TITLE: CUSTOMER DWG.	
	mm	INCH	APPD: Seawen 6/13/14		DWG NO: 010-0000-B22
4 PLACE	± **.05	± **.002	CHKD: Annie 6/13/14		C
3 PLACE	± 0.10	± **.005	DRAWN: Alex 6/13/14		
2 PLACE	± 0.30	± **.015			SCALE: SHEET: REV.:
1 PLACE	± 0.50	± **.030			2.5/1 3/4 X1
ANGULAR:	X° ± 2°	X° ± **.05			

X1	NEW RELEASE	6/13/14	Seawen
REV.	DESCRIPTION	DATE	APPD

1 2 3 4 5 6 7 8

PCB DRILLING PATTERN



UNITS ■ mm □ INCH		NAME: SNAP LATCH METAL 08 FIXED SOCKET			
GENERAL TOLERANCES: (UNLESS SPECIFIED)		PART NO: R-F0BR**0*00*00		TITLE: CUSTOMER DWG.	
	mm	INCH	APPD: Seawen 6/13/14		DWG NO: 010-0000-B22
4 PLACE	± **.05	± **.002	CHKD: Annie 6/13/14		C
3 PLACE	± 0.10	± **.004	DRAWN: Alex 6/13/14		
2 PLACE	± 0.30	± **.012			
1 PLACE	± 0.50	± **.016			
ANGULAR:	$X^\circ \pm 2^\circ$	$X^\circ \pm **.075$			

X1	NEW RELEASE	06/13/14	Seawen
REV.	DESCRIPTION	DATE	APPD