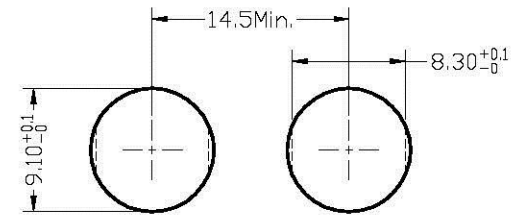
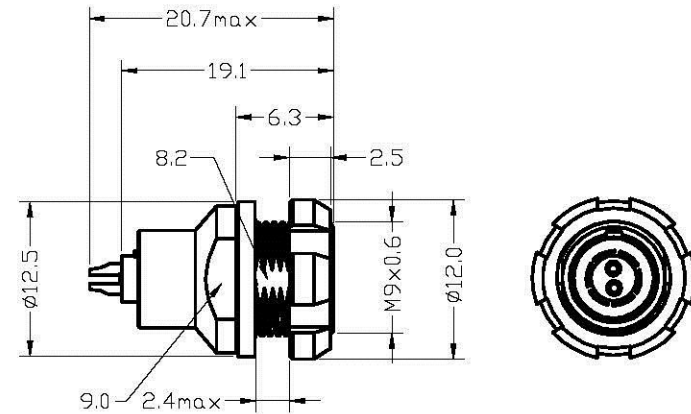


NOTE:

1. MATERIAL AND FINISH
 - 1.1. SHELL ASSEMBLY: COPPER ALLOY, OUTER SHELL AND COLLET NUT Cr PLATING, OTHER METALLIC COMPONENTS Ni PLATING
 - 1.2. INSULATOR: PEEK
 - 1.3. CONTACT: COPPER ALLOY, GOLD PLATING
2. RoHS COMPLIANCE
3. PCB DRILLING PATTERN ALL VIEWS ARE FROM THE SIDE OF THE SOCKET
4. PART NO.



PANEL CUT-OUT



R - F O B E * * 0 * 0 0 * 0 0

CONTACT POS.	02-09=2pin-09pin
SHELL MATERIAL	0=Brass

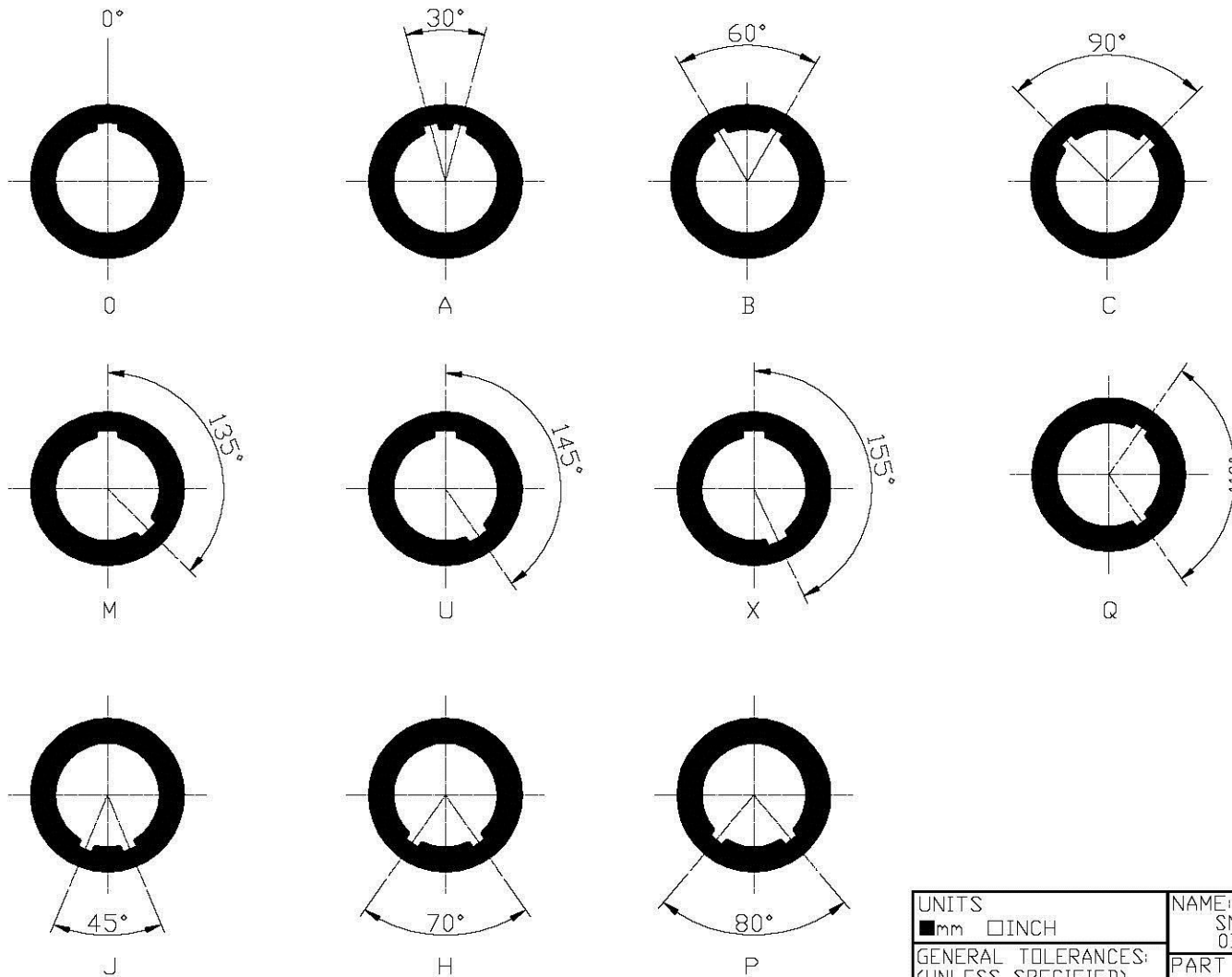
CODE	KEY ANGLES
0	0
A	30°
B	60°
"	"


CODE	CONTACT TYPE
2	Male Solder Contact
4	Female Solder Contact
C	Crimp Male Contact
M	Crimp Female Contact
1	Male Print Contact
3	Female Print Contact

REV.	DESCRIPTION	DATE	APPD
X1	NEW RELEASE	09/04/14	Seawen

UNITS mm INCH	NAME: SNAP LATCH METAL 0B FIXED SOCKET	
GENERAL TOLERANCES: (UNLESS SPECIFIED)	PART NO: R-F0BE**0*00*00	TITLE: CUSTOMER DWG.
4 PLACE ± ** ± **	APPD: Seawen 6/13/14	DWG NO: 010-0000-C75
3 PLACE ± 0.10 ± **	CHKD: Annie 6/13/14	SCALE: SHEET: REV: 2.5/1 1/3 X1
2 PLACE ± 0.30 ± **	DRAWN: Alex 6/13/14	
1 PLACE ± 0.50 ± **		
ANGULAR: X° ± 2° X° ± **		

KEY ANGLES (RECEPTACLE FRONT VIEW):



UNITS <input checked="" type="checkbox"/> mm <input type="checkbox"/> INCH		NAME: SNAP LATCH METAL OB FIXED SOCKET		 <small>www.allconnectors.com info@allconnectors.com 20150116-01-011004 1-800-433-0000 20150116-01-011004 800-855-5276</small>	
GENERAL TOLERANCES: (UNLESS SPECIFIED)		PART NO: R-F0BE**0*00*00		TITLE: CUSTOMER DWG.	
	mm	INCH	APPD: Seawen 6/13/14		DWG NO: 010-0000-C75
4 PLACE	± **	± **	CHKD: Annie 6/13/14		C
3 PLACE	± 0.10	± **	DRAWN: Alex 6/13/14		
2 PLACE	± 0.30	± **			
1 PLACE	± 0.50	± **			
ANGULAR:	X° ± 2°	X° ± **			SCALE: SHEET: REV.:
					2.5/1 2/3 X1

X1	NEW RELEASE	09/04/14	Seawen
REV.	DESCRIPTION	DATE	APPD