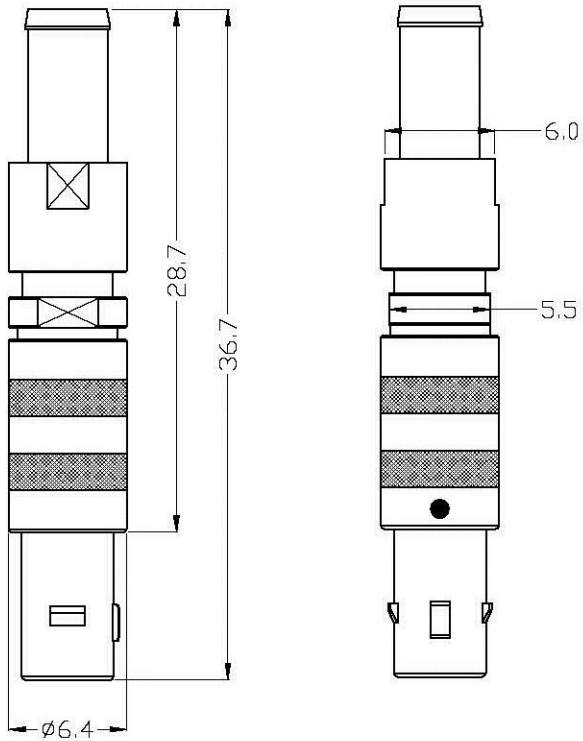
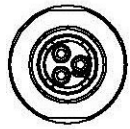


NOTE:

1. MATERIAL AND FINISH
 SHELL ASSEMBLY: COPPER ALLOY, OUTER SHELL AND COLLET NUT Cr PLATING, OTHER METALLIC COMPONENTS Ni PLATING

INSULATOR: PEEK
 CONTACT: COPPER ALLOY, GOLD PLATING

2. ROHS COMPLIANCE
 3. PART NO.



R - F 0 0 S * * 0 * D 1 * * *

Contact Pos.
 02-04=2pin-4pin

Shell Material
 0=Brass

Cable OD
 22=OD:1.4mm-2.2mm
 27=OD:2.2mm-2.7mm
 35=OD:2.7mm-3.5mm

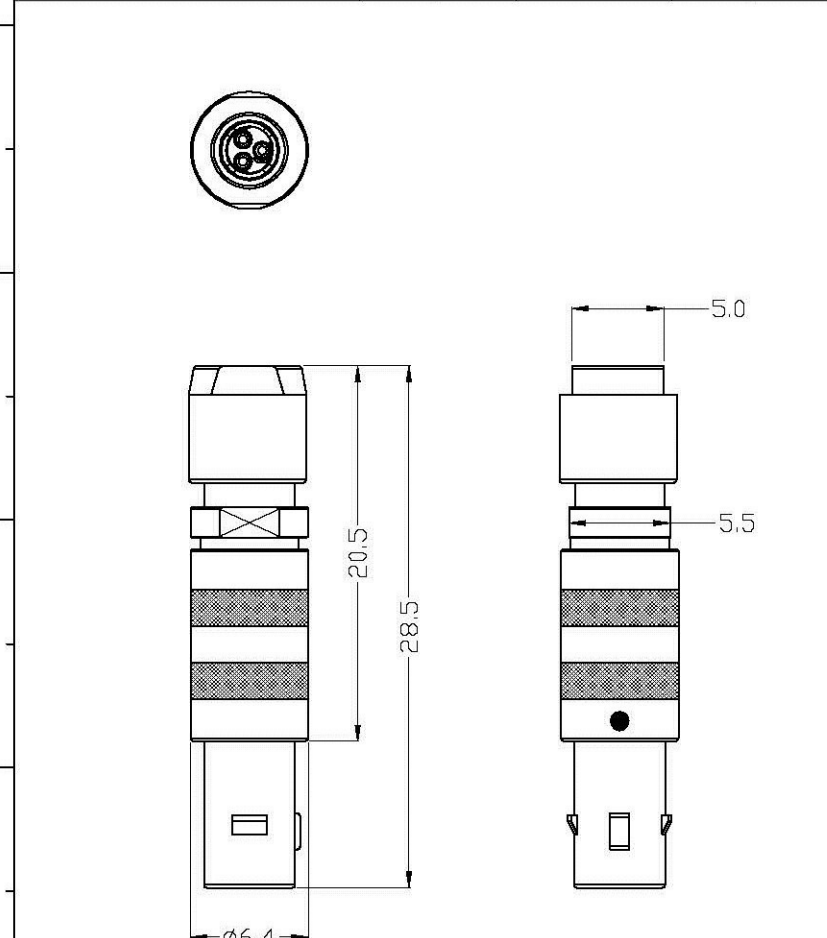
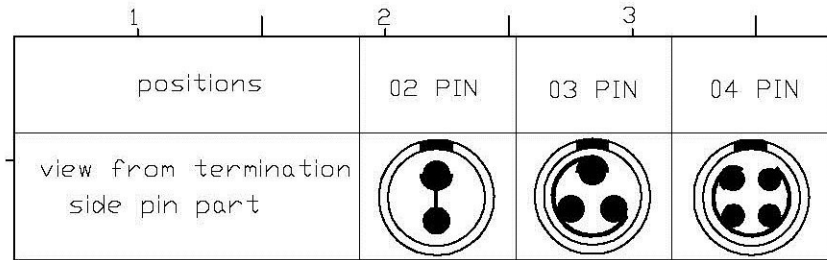
CODE	Key Angles
0	0°
A	30°
B	60°
J	45°

CODE	Contact Type
2	Male Solder Contact
4	Female Solder Contact
C	Crimp Male Contact
M	Crimp Female Contact
1	Male Print Contact
3	Female Print Contact

Collet Nut
 1=Nut for fitting a bend relief

UNITS <input checked="" type="checkbox"/> mm <input type="checkbox"/> INCH		NAME: SNAP LATCH METAL 00 PLUG		All Connectors <small>www.allconnectors.de tel: 0049 712 90020 www.allconnectors.de kette@allconnectors.de</small>	
GENERAL TOLERANCES: (UNLESS SPECIFIED)		PART NO: R-F00S**0*D1***		TITLE: CUSTOMER DWG.	
	mm	INCH	APPD: Seawen 6/03/14		DWG NO: 010-0000-B93
4 PLACE	± **	± **.**	CHKD: Annie 6/03/14		C
3 PLACE	± 0.10	± **.**	DRAWN: Alex 6/03/14		SCALE: SHEET: REV.:
2 PLACE	± 0.30	± **.**			3.5/1 1/2 X2
1 PLACE	± 0.50	± **.**			
ANGULAR:	X°± 2°	X°± **.**			

REV.	DESCRIPTION	DATE	APPD
X2	UPDATE RELEASE	6/03/14	Seawen
X1	NEW RELEASE	12/05/13	Seawen



NOTE:

- MATERIAL AND FINISH
SHELL ASSEMBLY: COPPER ALLOY, OUTER SHELL AND COLLET NUT Cr PLATING, OTHER METALLIC COMPONENTS Ni PLATING
INSULATOR: PEEK
CONTACT: COPPER ALLOY, GOLD PLATING
- ROHS COMPLIANCE
- PART NO.

R - F 0 0 S * * 0 * D 2 * * *

Contact Pos.
02-04=2pin-4pin

Shell Material
0=Brass

CODE	Contact Type
2	Male Solder Contact
4	Female Solder Contact
C	Crimp Male Contact
M	Crimp Female Contact
1	Male Print Contact
3	Female Print Contact

Cable OD
22=OD:1.4mm-2.2mm
27=OD:2.2mm-2.7mm
35=OD:2.7mm-3.5mm

CODE	Key Angles
0	0°
A	30°
B	60°
J	45°

Collet Nut
2=Nut for Standard

UNITS
 mm INCH

GENERAL TOLERANCES:
(UNLESS SPECIFIED)

	mm	INCH
4 PLACE	± **.10	± **.004
3 PLACE	± 0.10	± **.004
2 PLACE	± 0.30	± **.012
1 PLACE	± 0.50	± **.020
ANGULAR:	X° ± 2°	.X° ± **.087

NAME:
SNAP LATCH METAL
00 PLUG

PART NO:
R-F00S**0*D2***

APPD: Seawen 6/03/14

CHKD: Annie 6/03/14

DRAWN: Alex 6/03/14

All Connectors
www.allconnectors.com info@allconnectors.com
 1400 S. 10th St., Suite 200, Phoenix, AZ 85034
 602.998.1111 800.241.8888

TITLE:
CUSTOMER DWG.

DWG NO:
010-0000-B93

SCALE: SHEET: REV.:
3.5/1 2/2 X2

REV.	DESCRIPTION	DATE	APPD
X2	UPDATE RELEASE	6/03/13	Seawen
X1	NEW RELEASE	12/05/13	Seawen