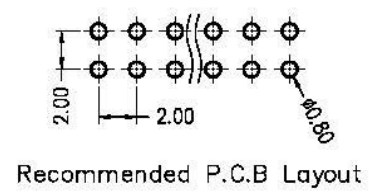
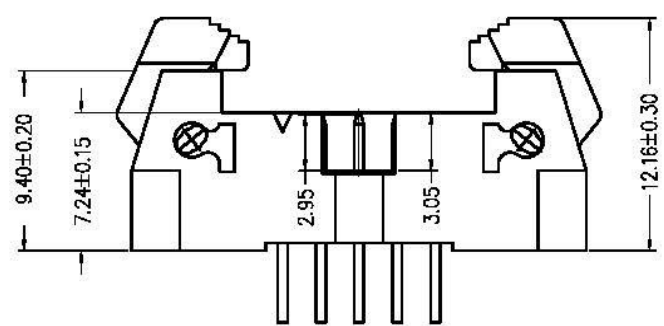
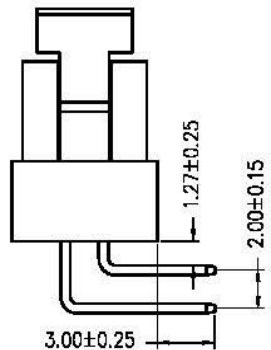
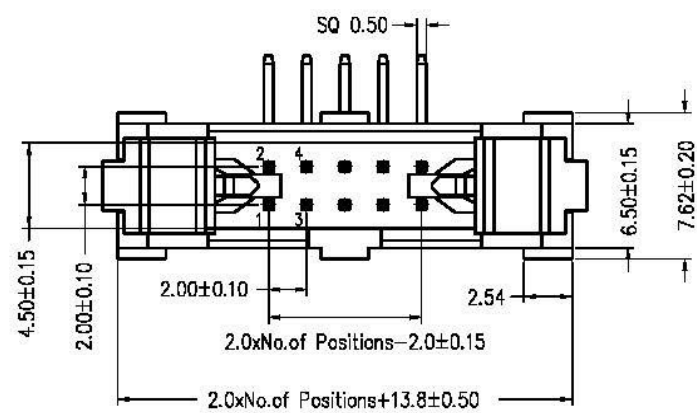


2.00mm PITCH EJECTOR HEADER CONNECTOR, RIGHT ANGLE SHORT LATCH, ROHS COMPLIANT



Material Information:

Terminal: Brass
 Insulator: LCP+30%G. F, UL94V-0
 Plating: Au or Sn plated over 50 U' Ni
 All materials compliant with ROHS

Technical Specifications:

Current Rating: 2.0A
 Contact Resistance: 20mΩ Max
 Insulation Resistance: 1000M Ωmin
 Dielectric Voltage: 500V AC/minute
 Operation Temperature: -40° C to +105° C

Ordering Information

BERS - XX XX XX C1 X
 ① ② ③

- ① No. of Contacts: 10 To 64
- ② Plating Option:
 01: Gold Flash Over All
 03: 3U' Gold plated Over All
 05: 5U' Gold Plated Over All
 0S: Tin Plated Over All
- ③ Packing Option:
 A: Plastic Tray B: PE Bag
 C: Tube

 www.allconnectors.de info@allconnectors.de Tel: +0049 711 7008923 Fax: +049 711 7008924 70534 Filderstadt - Germany Kettnerstr. 21	绘图 (DRAWN)	孙高田	投影 (PROJECT)		公差 (TOLERANCE)	料号 (PART NO)	BERS-XXXXXXC1X
	审核 (CHECKED)	刘思晴	单位 (UNIT)	MM	0.0 ± 0.30	品名 (NAME)	2.00间距牛角 短耳 90°
	核准 (APPROVE)		比例 (SCALE)	1:1	0.00 ± 0.20		
			版本 (EDITION)	A			
		日期 (DATE)	2013/12/13				