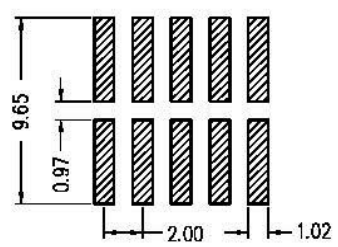
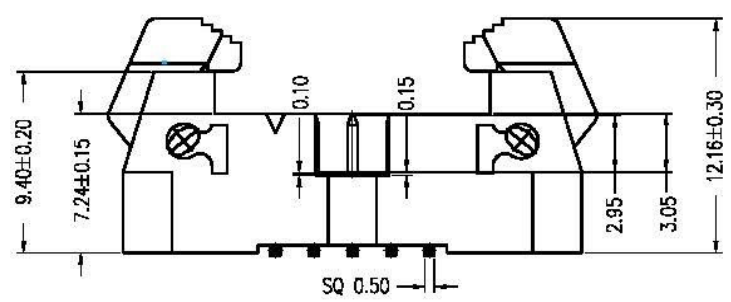
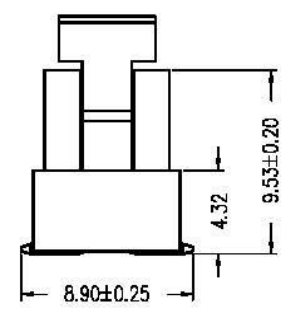
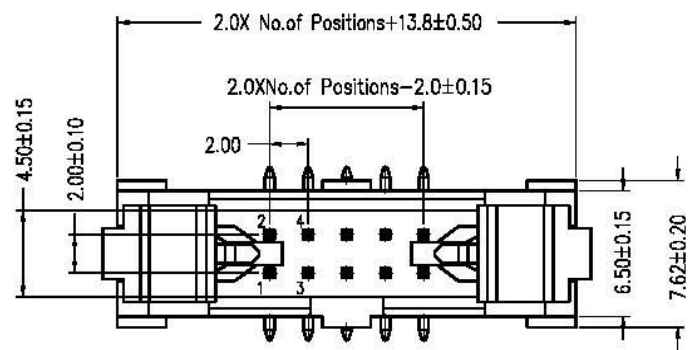


2.00mm PITCH EJECTOR HEADER CONNECTOR, VERTICAL SMT, SHORT LATCH, ROHS COMPLIANT



P. C. B Layout

Material Information:

Terminal: Phosphor Bronze
 Insulator: LCP+30%G. F, UL94V-0
 Plating: Au or Sn plated over 50 U' Ni
 All materials compliant with ROHS

Technical Specifications:

Current Rating: 2.0A
 Contact Resistance: 20mΩ Max
 Insulation Resistance: 1000M Ωmin
 Dielectric Voltage: 500V AC/minute
 Operation Temperature: -40° C to +105° C

Ordering Information

BEMS - XX XX XX C2 X
 ① ② ③

- ① No. of Contacts: 10 To 64
- ② Plating Option:
 01: Gold Flash Over All
 03: 3U' Gold plated Over All
 05: 5U' Gold Plated Over All
 0S: Tin Plated Over All
- ③ Packing Option:
 A: Plastic Tray B: PE Bag
 C: Tube

| | | | | | |
|--|----------------------|----------------|----------------|--------------|--------------------------------------|
| www.allconnectors.de Tel: 044 71 4000 50/51 StraÙe - Germany | 绘图 (DRAWN) 孙高田 | 投影 (PROJECT) | 公差 (TOLERANCE) | 料号 (PART NO) | BEMS-XXXXXXC2X 2.00间距牛角 短耳 立贴 |
| | 审核 (CHECKED) 刘思晴 | 单位 (UNIT) MM | 0.0 ± 0.30 | 品名 (NAME) | |
| | 核准 (APPROVE) | 比例 (SCALE) 1:1 | 0.00 ± 0.20 | | |
| | | 版本 (EDITION) A | | | |
| | 日期 (DATE) 2013/12/13 | | | | |