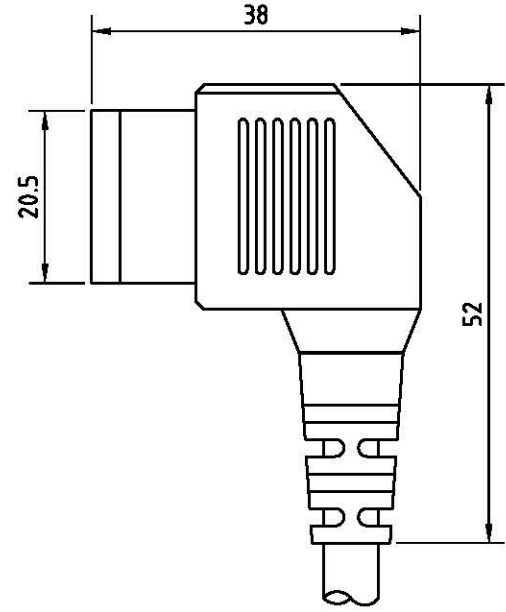
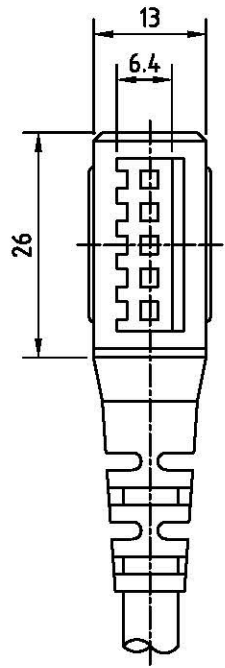


| REV. | Description | Date |
|------|-----------------|------------|
| 1 | part no. revise | 2016/10/27 |

Specification

1. Pitch=3.96mm
2. Current rating: 1A-7A
3. Voltage rating: 250V AC
4. Insulation resistance: 1000MΩ min.
5. Dielectric strength: AC 1500V / 1 minute



RoHS
TOLERANCE X±0.5 X.X±0.3

Allconnectors

www.allconnectors.de info@allconnectors.de
Tel.: 0049 711 7009503 Fax: 0049 711 7009504
70794 Filderstadt - Germany Kettnerstr. 25

| | | | |
|------|------------|----------|------------|
| DATE | 2016/10/27 | PART NO. | UT-D062-5P |
| DWN | GINA | REV. | 1 |
| CHK | | | |
| UNIT | MM | | |

| | |
|------|--------------------------------|
| ITEM | Housing Connector Molded Cable |
|------|--------------------------------|