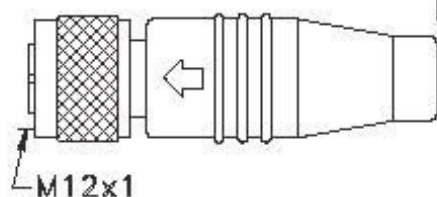
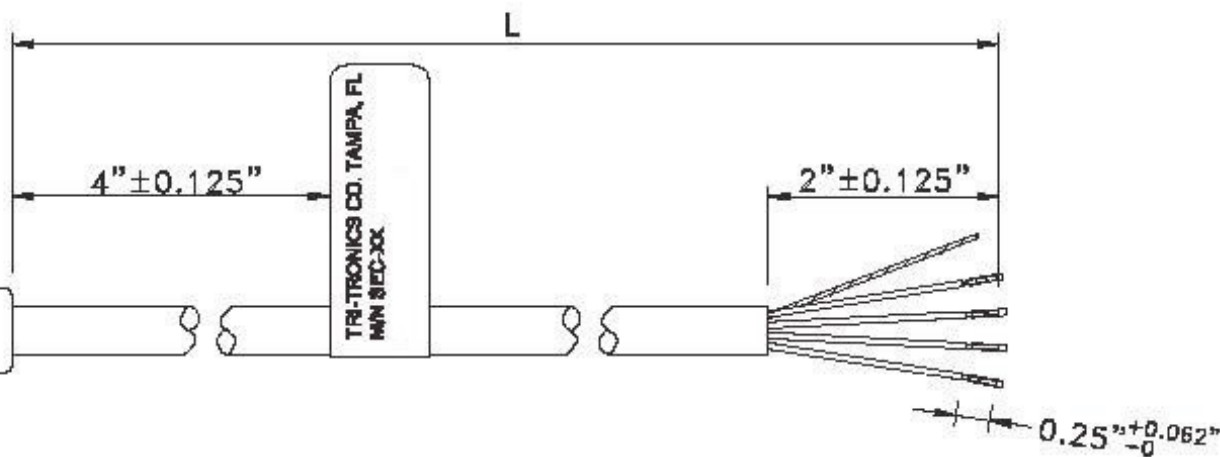


FRONT VIEW



M12-5PIN FEMALE
MOLDED PUR COLOR



PIN OUT

M12-5PIN FEMALE

1	BROWN	NC
2	WHITE	NC
3	BLUE	NC
4	BLACK	NC
COUPLING NUT	DRAIN WIRE	NC

(L=6'±2")
(L=15'±6")
(L=25'±1')

All Connectors

www.allconnectors.com
info@allconnectors.com
185 W. 14th St. #100
Tampa, FL 33604

RoHS Compliant

DRAWING BY CY

CHECKED BY GENIUS

UNIT / mm SCALE 1:1

DATE

SIZE A4

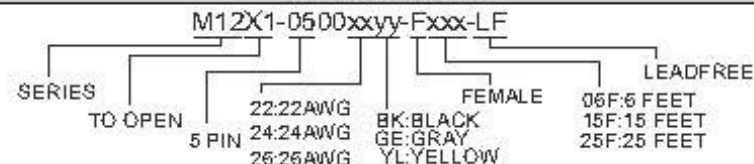
TOLERANCES ARE

X ±
X ± 0.30
XX ± 0.20
XXX ±
ANG ±

PROJECTION



ORDER INFORMATION



DESCRIPTION: M12-5PIN FEMALE TO OPEN AND JACKET PVC
COLOR: BLACK, GRAY, YELLOW

*****CONSTRUCTION:**

1.CABLE: * UL2661 (4C/22.24.26#)+(ALUMINUM-MYLAR FOIL+22.24.26# DRAIN WIRE)
OD:7.4mm COLOR PVC JACKET.

*****CONNECTORS:**

2.M12-5PIN: * M12-5PIN FEMALE SOLDER TYPE.
* PIN: BRASS WITH GOLD PLATED.
* INSULATOR: BLACK NYLON 66 UL 94V-0 RATED.
* COUPLING NUT: M12x1 BRASS WITH NICKEL PLATED.
* O-RING: SILICONE RUBBER RED COLOR.
* FERRULE: BRASS WITH NICKEL PLATED.
* MOLDED: PUR COLOR.

3.LABEL: * PRINT: "TRI-TRONICS CO. TAMPA, FL M/N SEC-XX WWW.TTCO.COM"

4.TEST: * CT: 2 Ohm. IS: 5M Ohm.

5.ELECTRICAL: * CURRENT RATING: 4A VOLTAGE RATING: 300V

6.MECHANICAL: * TEMPERATURE: 105°C PROTECTION: IP 68, NEMA 6P

7.PACKING: * PACK EACH CABLE IN A POLY BAG.

8.MATERIAL: * MATERIAL WITH RoHS GRADE.

9.MARKINGS: (1). CABLE TO BE PERMANENTLY MARKED WITH THE FOLLOWING INFORMATION
(THIS SET OF INFORMATION IS TO REPEAT ITSELF THROUGHOUT THE ENTIRE LENGTH OF THE CORDSET WITH APPX. 6" OF SPACE BETWEEN EACH SET):
UL CERT. INFORMATION (AWM STYLE, UL FILE NO., CABLE RATINGS,ETC.);
CSA CERT. INFORMATION (AWM STYLE, CSA FILE NO., CABLE RATINGS,ETC.)
(2). NO O.E.M. MARKINGS ARE PERMITTED ON THE CABLE OR CONNECTOR
(3). ID LABEL MAY EITHER BE FLAGGED (AS ILLUSTRATED) OR WRAP AROUND

RoHS Compliant

TOLERANCES ARE

All Connectors

DRAWING BY CY

CHECKED BY GENINS

UNIT / mm SCALE 1 : 1

DATE

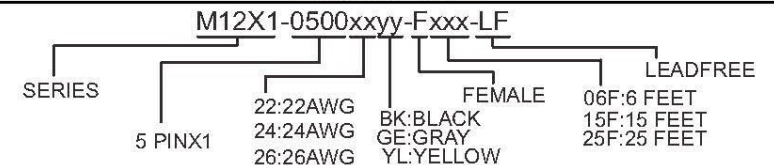
SIZE A4

X ±
X ± 0.30
.XX ± 0.20
XXX ±
ANG ±

PPOJECTION 

www.allconnectors.de info@allconnectors.de
Tel.: 0049 711 7009503 Fax: 0049 711 7009504
70754 Filderstadt - Germany Kettenerstr. 25

ORDER INFORMATION



DESCRIPTION: **M12-5PIN FEMALE TO OPEN** AND JACKET PVC
COLOR:BLACK,GRAY,YELLOW