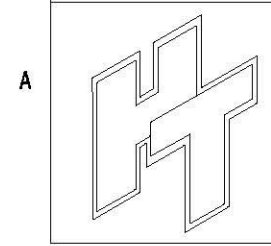
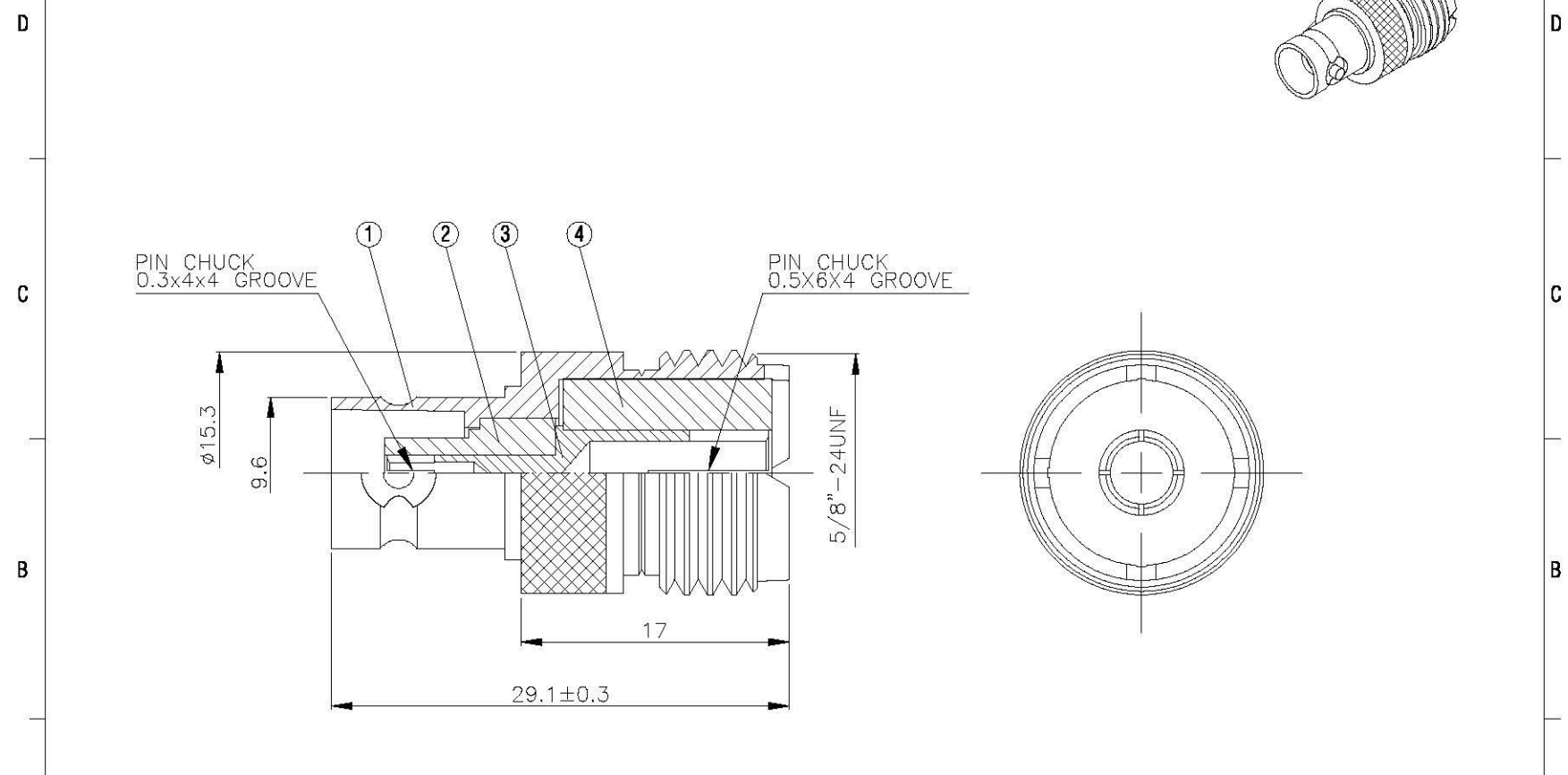
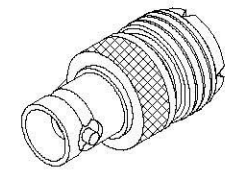


NO	DESCRIPTION	MATERIAL	Q'TY	FINISH
1	BODY 1	BRASS	1	NICKEL
2	INSULATION 1	DELKIN	1	DELKIN
3	INSULATION 2	DELKIN	1	DELKIN
4	PIN	BRASS	1	GOLD



Allconnectors
www.allconnectors.de
 Tel.: 0049 7241 7000500
 70734 Tübingen - Germany
info@allconnectors.de
 Fax: 0049 7241 7000504
 Ketteimerstr. 25

TITLE BNC FEMALE - UHF FEMALE
PART NO. UHF-24-DGN
DRAWING NO. UHF-24-DGN

DRAWN 蘇志欣 **DATE** 98.07.01
CHECKED 蘇姿潔 **DATE**
Q.A. 林妙樺 **DATE**
APPROVAL 徐燦霖 **DATE**
REVISION **DATE**

DIMENSIONS ARE IN MILLIMETERS
UNLESS OTHERWISE SPECIFIED TOLERANCE
 0.5-5=±0.2 120-315=±1
 5-30=±0.4 315-1000=±1.6
 30-120=±0.6 1000-2000=±2.4
SCALE 4:1 **SIZE** A

REVISION	
DESCRIPTION	ENGINEER