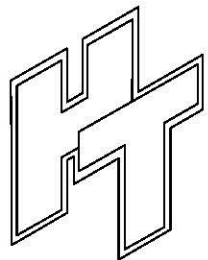
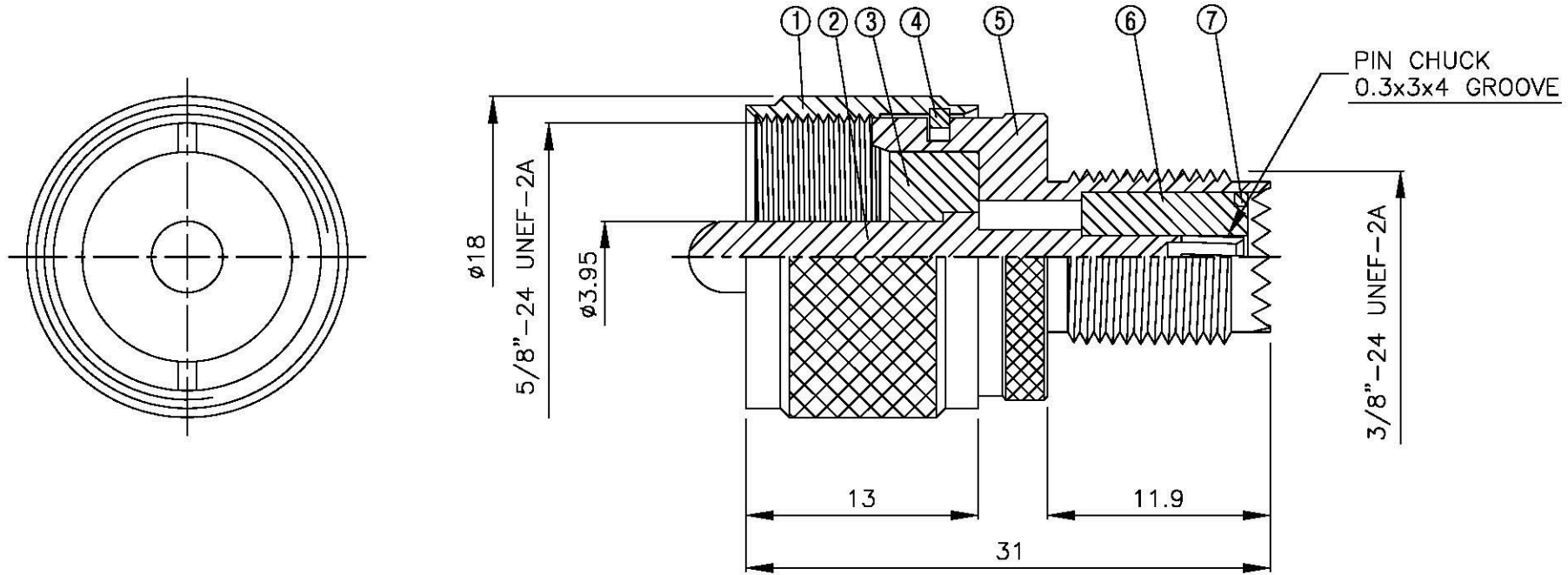
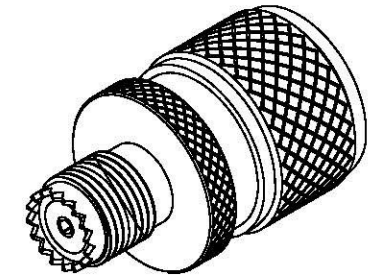


NO	DESCRIPTION	MATERIAL	Q'TY	FINISH
1	SHELL	BRASS	1	NICKEL
2	PIN	BRASS	1	GOLD
3	INSULATION 1	DELIN	1	DELIN
4	WASHER 1	BRASS	1	NICKEL
5	BODY	BRASS	1	NICKEL
6	INSULATION 2	DELIN	1	DELIN
7	WASHER 2	BRASS	1	NICKEL



All Connectors

www.allconnectors.de
Tel.: 0049 711 7009503
72721 Ulm/Weiler - Germany

info@allconnectors.de
Fax: 0049 711 7009504
Kellmerstr. 4B

TITLE UHF MALE -Mini UHF FEMALE ADAPTOR

PART NO. UHF-19-DGN

DRAWING NO. UHF 19 DGN

DRAWN MARY DATE 9 6.07.09

CHECKED 蘇志欣 DATE

Q.A. 蘇姿潔 DATE

APPROVAL 徐燦霖 DATE

REVISION DATE

DIMENSIONS ARE IN MILLIMETERS

UNLESS OTHERWISE SPECIFIED TOLERANCE

0.5-5=±0.2 120-315=±1

5-30=±0.4 315-1000=±1.6

30-120±0.6 1000-2000=±2.4

SCALE 4:1 SIZE A

REVISION

DESCRIPTION ENGINEER

D

C

B

A

D

C

B

A

4

3

2

1