

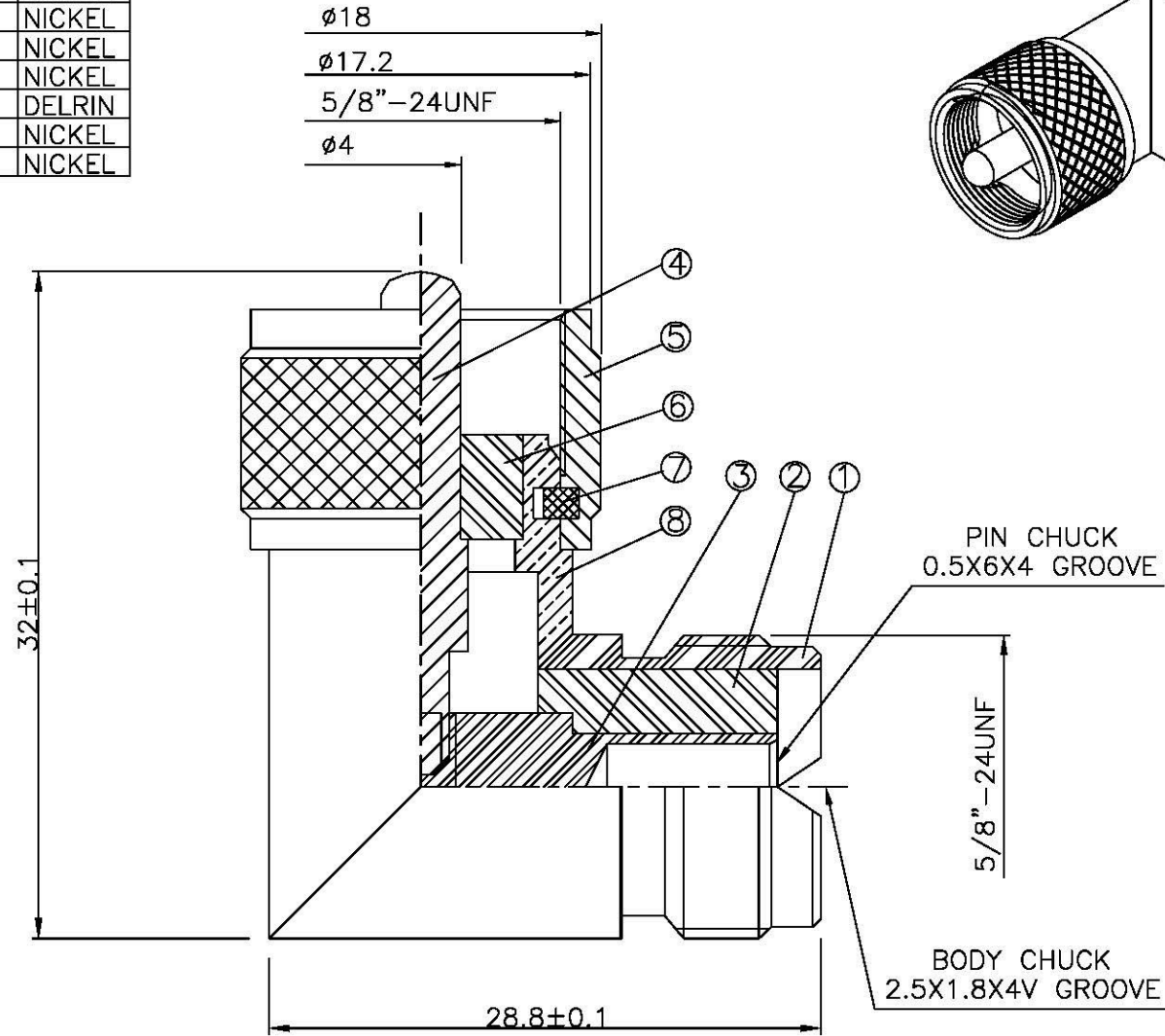
NO	DESCRIPTION	MATERIAL	Q'TY	FINISH
1	BODY A	BRASS	1	NICKEL
2	INSULATION	DELRIN	1	DELRIN
3	PIN 1	BRASS	1	NICKEL
4	PIN 2	BRASS	1	NICKEL
5	SHELL	BRASS	1	NICKEL
6	INSULATION	DELRIN	1	DELRIN
7	WASHER	BRASS	1	NICKEL
8	BODY B	BRASS	1	NICKEL

D

C

B

A

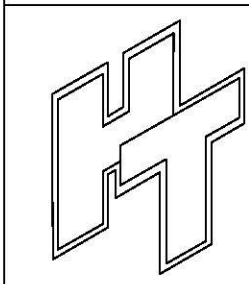


D

C

B

A



All Connectors

www.allconnectors.de
Tel.: 0049 213 360004
70794 Filzbergstr. Germany

Info@allconnectors.de
Fax: 0049 213 360004
Kottbusstr. 23

TITLE
UHF MALE - UHF FEMALE

PART NO.
UHF-17-DNN

DRAWING NO. **UHF 17 DNN**

DRAWN DATE 95.12.20

CHECKED 黄巧君 DATE 95.12.20

Q.A. 蘇姿潔 DATE

APPROVAL 徐燦霖 DATE

REVISION DATE

DIMENSIONS ARE IN MILLIMETERS

UNLESS OTHERWISE SPECIFIED TOLERANCE

0.5-5=±0.2 120-315=±1

5-30=±0.4 315-1000=±1.6
30-120=±0.6 1000-2000=±2.4

SCALE 4:1 SIZE A

REVISION

DESCRIPTION ENGINEER

4

3

2

1