

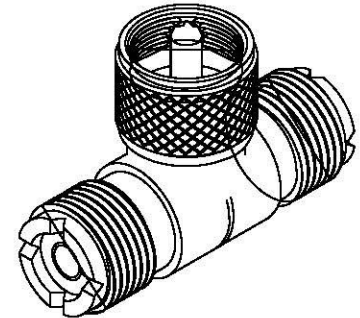
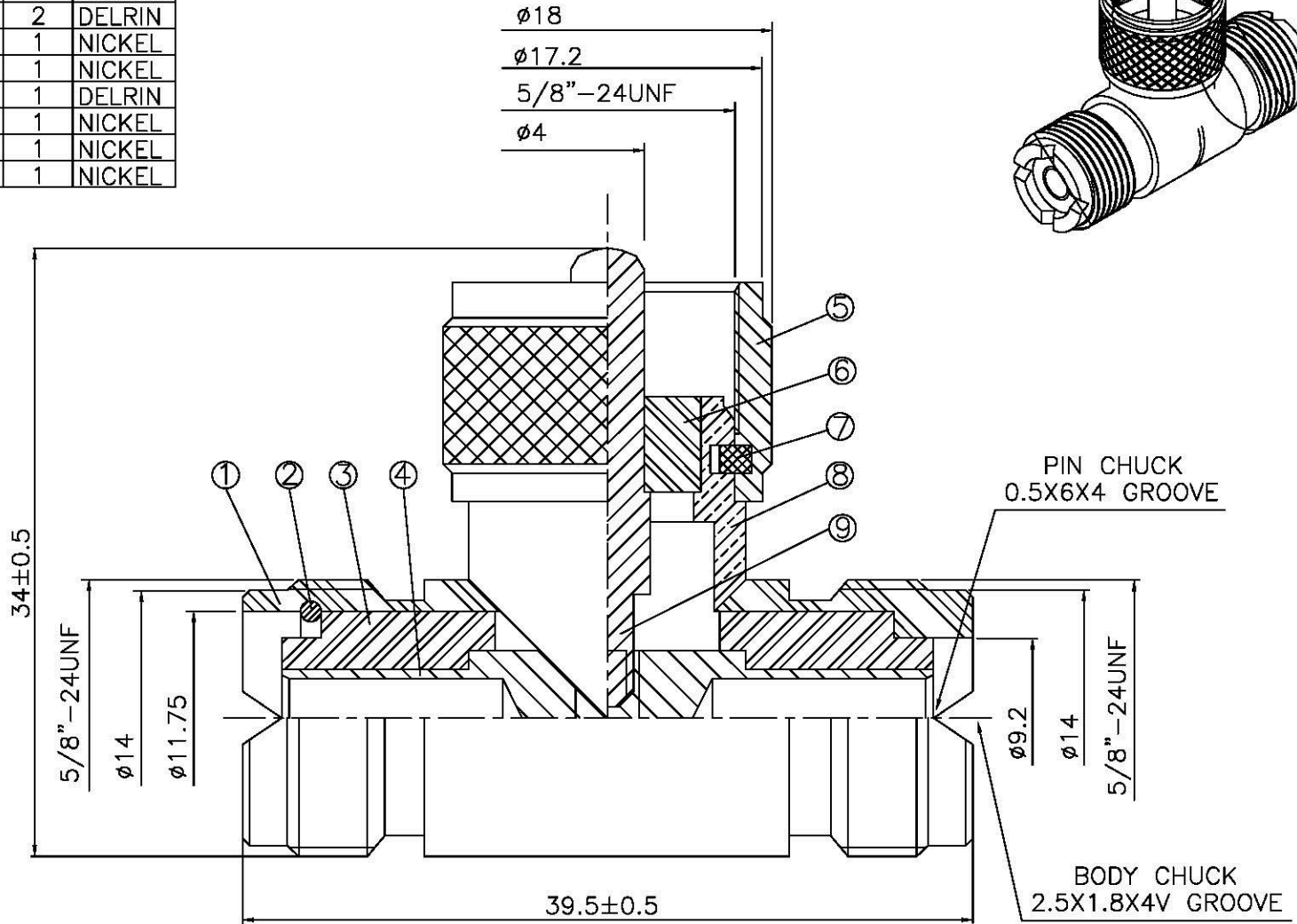
NO	DESCRIPTION	MATERIAL	Q'TY	FINISH
1	BODY A	BRASS	1	NICKEL
2	SPRING	SK-5	1	NICKEL
3	INSULATION	DELTRIN	2	DELTRIN
4	PIN 1	BRASS	1	NICKEL
5	SHELL	BRASS	1	NICKEL
6	INSULATION	DELTRIN	1	DELTRIN
7	WASHER	BRASS	1	NICKEL
8	BODY B	BRASS	1	NICKEL
9	PIN 2	BRASS	1	NICKEL

D

C

B

A

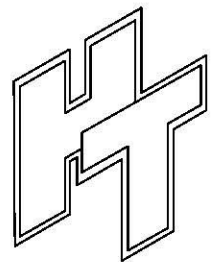


D

C

B

A



**All Connectors**

www.allconnectors.com info@allconnectors.com  
 TEL: 86-512-8372222 FAX: 86-512-8372224  
 2009 All Connectors Germany

TITLE  
**FEMALE - MALE - FEMALE**

PART NO.  
**UHF-16-DNN**

DRAWING NO. **UHF 16 DNN**

DRAWN **MARY** DATE **96.07.09**

CHECKED **蘇志欣** DATE

Q.A. **蘇姿潔** DATE

APPROVAL **徐燦霖** DATE

REVISION DATE

DIMENSIONS ARE IN MILLIMETERS

UNLESS OTHERWISE SPECIFIED  
 TOLERANCE

0.5-5=±0.2 120-315=±1

5-30=±0.4 315-1000=±1.6

30-120=±0.6 1000-2000=±2.4

SCALE **4:1** SIZE **A**

REVISION

DESCRIPTION ENGINEER

4

3

2

1