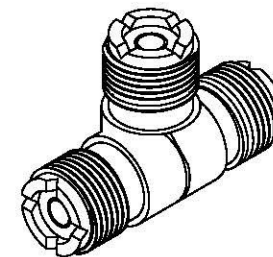


NO	DESCRIPTION	MATERIAL	Q'TY	FINISH
1	BODY 1	BRASS	1	NICKEL
2	INSULATION	DELRIN	2	DELRIN
3	PIN 2	BRASS	1	NICKEL
4	PIN 2	BRASS	1	NICKEL
5	INSULATION	DELRIN	1	DELRIN
6	BODY 2	BRASS	1	NICKEL
7	SPRING	SK-5	1	NICKEL



D

D

C

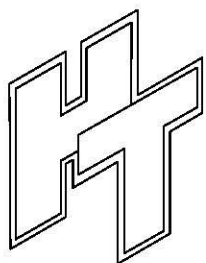
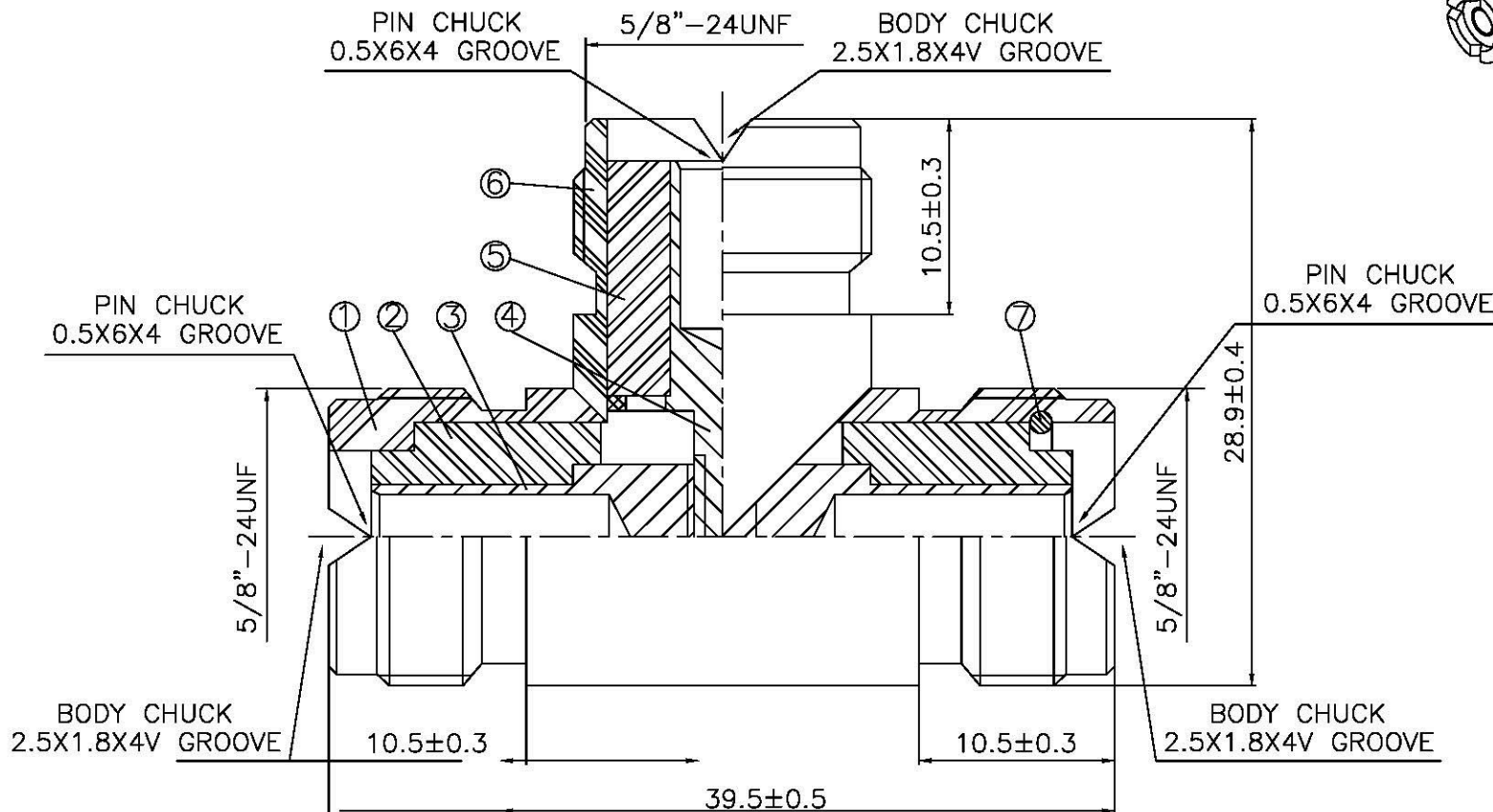
C

B

B

A

A



Allconnectors

www.allconnectors.de
Tel.: 0049 711 7005503
70794 Filmbach - Germany

info@allconnectors.de
Fax: 0049 711 7005504
Kraemerstr. 25

TITLE
FEMALE - FEMALE - FEMALE

PART NO.
UHF-15-DNN

DRAWING NO. **UHF 15 DNN**

DRAWN **MARY** DATE **96.07.09**

CHECKED **蘇志欣** DATE

Q.A. **蘇姿潔** DATE

APPROVAL **徐燦霖** DATE

REVISION DATE

DIMENSIONS ARE IN MILLIMETERS

UNLESS OTHERWISE SPECIFIED TOLERANCE

0.5-5=±0.2	120-315=±1
5-30=±0.4	315-1000=±1.6
30-120=±0.6	1000-2000=±2.4

SCALE 4:1 SIZE A

REVISION

DESCRIPTION	ENGINEER

4

3

2

1