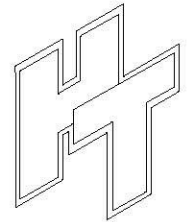
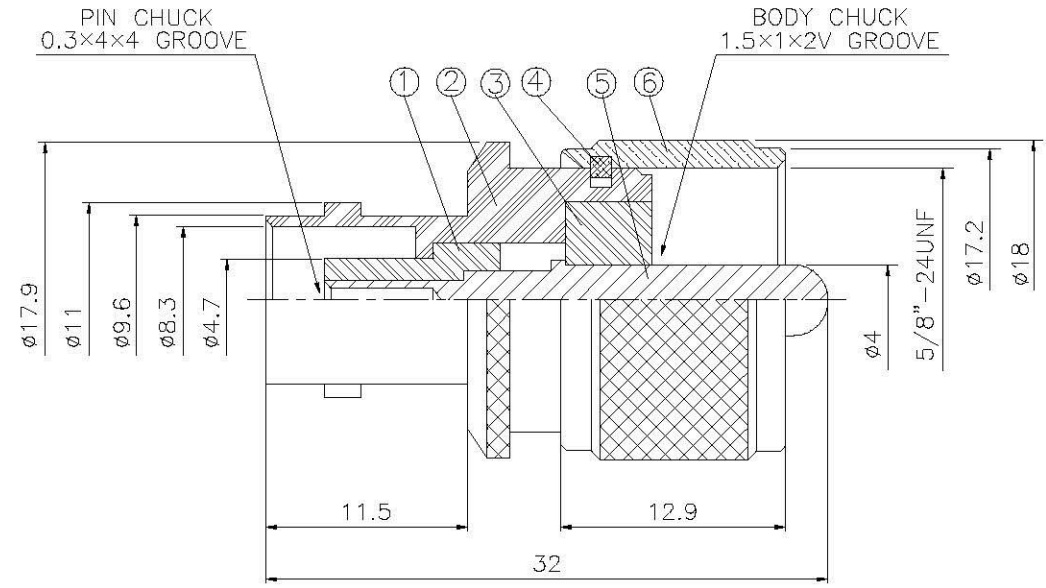
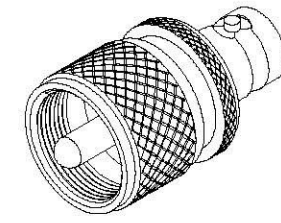


NO	DESCRIPTION	MATERIAL	Q'TY	FINISH
1	INSULATION	DELRIN	1	DELRIN
2	BODY	BRASS	1	NICKEL
3	INSULATION	DELRIN	1	DELRIN
4	WASHER	BRASS	1	NICKEL
5	PIN	BRASS	1	NICKEL
6	SHELL	BRASS	1	NICKEL



All Connectors

www.allconnectors.de
 Tel: 0645 744 7009/04
 70784 Pflanzloch, Germany

info@allconnectors.de
 Fax: 0645 744 7009/04
 Kottbusstr. 12

TITLE
UHF MALE-BNC FEMALE

PART NO.
UHF-14-DGN

DRAWING NO. **UHF 14 DGN**

DRAWN	MARY	DATE	96.07.09
CHECKED	蘇志欣	DATE	97.07.04
Q.A.	蘇姿潔	DATE	
APPROVAL	徐燦霖	DATE	
REVISION		DATE	

DIMENSIONS ARE IN MILLIMETERS			
UNLESS OTHERWISE SPECIFIED TOLERANCE			
0.5-5=±0.2	120-315=±1		
5-30=±0.4	315-1000=±1.6		
30-120=±0.6	1000-2000=±2.4		
SCALE	4:1	SIZE	A

REVISION	
DESCRIPTION	ENGINEER