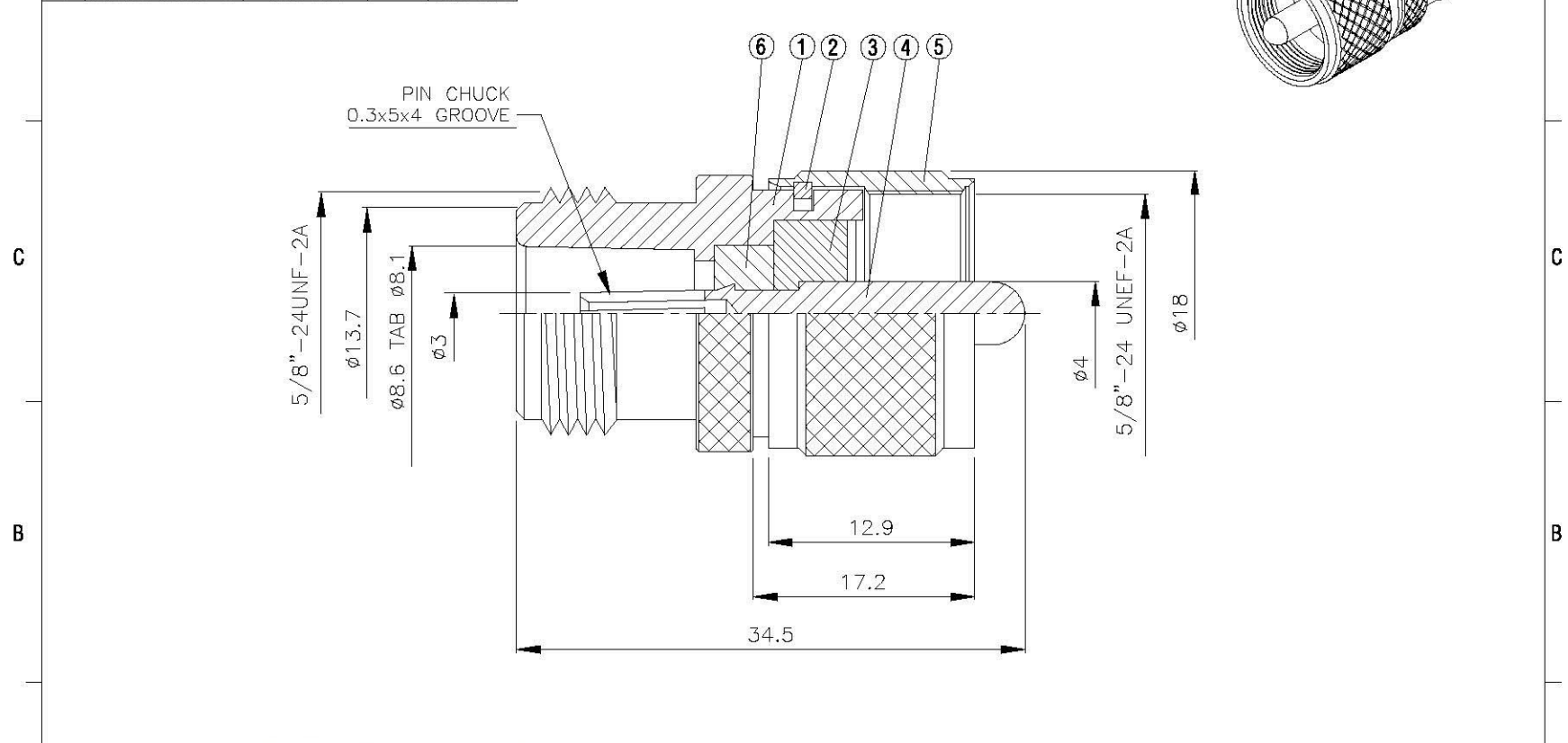
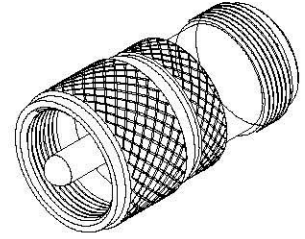


NO	DESCRIPTION	MATERIAL	Q'TY	FINISH
1	BODY	BRASS	1	NICKEL
2	WASHER	BRASS	1	NICKEL
3	INSULATION 1	TEFLON	1	TEFLON
4	PIN	BRASS	1	GOLD
5	BODY	BRASS	1	NICKEL
6	INSULATION 2	TEFLON	1	TEFLON



	All Connectors <small>www.allconnectors.de Tel: +49 202 711 3000/23 20254 Hildenstadt - Germany</small>	DRAWN MARY DATE 96.07.09	DIMENSIONS ARE IN MILLIMETERS			REVISION	
		CHECKED DATE 97.07.04	UNLESS OTHERWISE SPECIFIED TOLERANCE			DESCRIPTION	ENGINEER
		Q.A. DATE	0.5-5 = ± 0.2	120-315 = ± 1			
		APPROVAL DATE	5-30 = ± 0.4	315-1000 = ± 1.6			
		REVISION DATE	30-120 = ± 0.6	1000-2000 = ± 2.4			
TITLE N FEMALE - UHF MALE ADAPTOR	PART NO. UHF-13-TGN	DRAWING NO. UHF 13 TGN	SCALE 4:1	SIZE A			