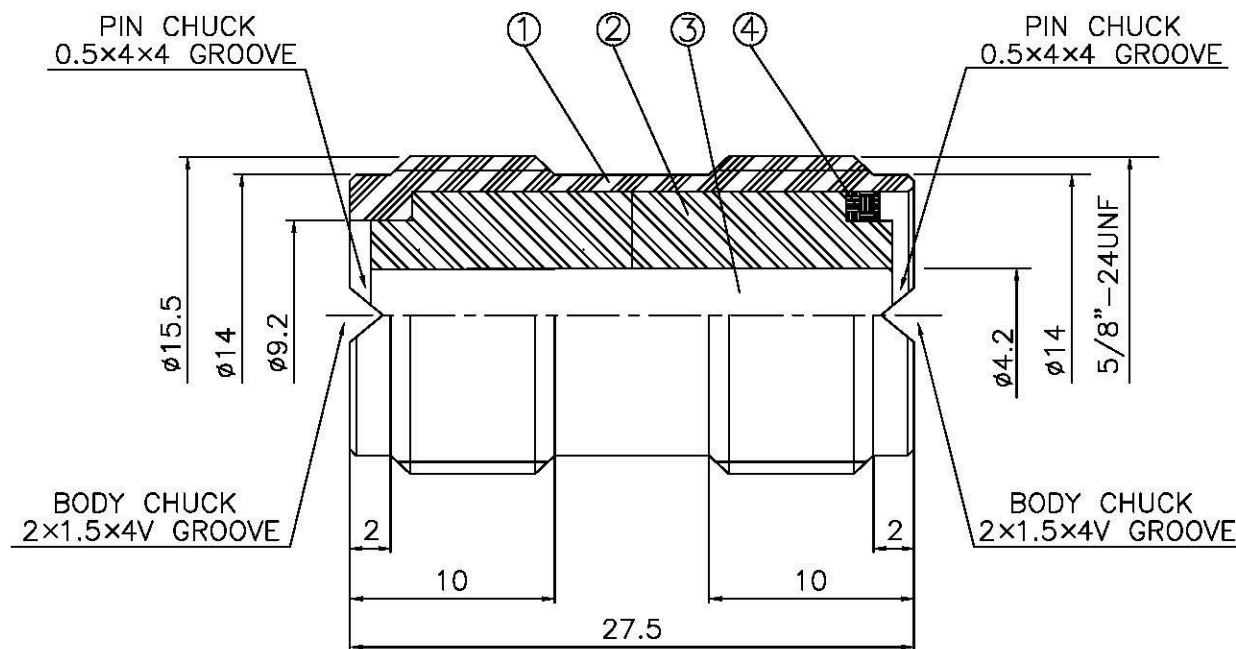
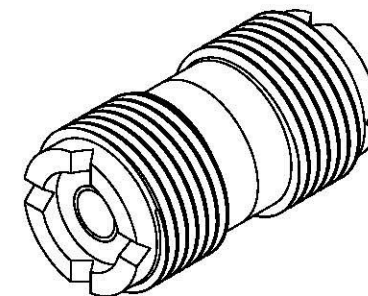
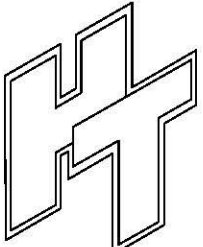



NO	DESCRIPTION	MATERIAL	Q'TY	FINISH
1	BODY	BRASS	1	NICKEL
2	INSULATION	DELTRIN	1	DELTRIN
3	PIN	BRASS	1	NICKEL
4	WASHER	BRASS	1	NICKEL



		DRAWN MARY DATE 96.03.23	DIMENSIONS ARE IN MILLIMETERS		REVISION	
	<small>www.allconnectors.de Tel.: 0049 711 7093909 70754 Hildersheim, Germany</small>	<small>info@allconnectors.de Fax: 0049 711 7093904 Kollmannstr. 25</small>	CHECKED 黃巧君 DATE	UNLESS OTHERWISE SPECIFIED TOLERANCE		DESCRIPTION ENGINEER
	TITLE <b>FEMALE-FEMALE ADAPTOR</b>	Q.A. 蘇姿潔 DATE	0.5-5=±0.2 120-315=±1			
	PART NO. UHF-12-DNN	APPROVAL 徐燦霖 DATE	5-30=±0.4 315-1000=±1.6			
	DRAWING NO. UHF 12 DNN	REVISION DATE	30-120=±0.6 1000-2000=±2.4	SCALE 4:1	SIZE A	