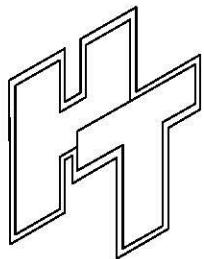
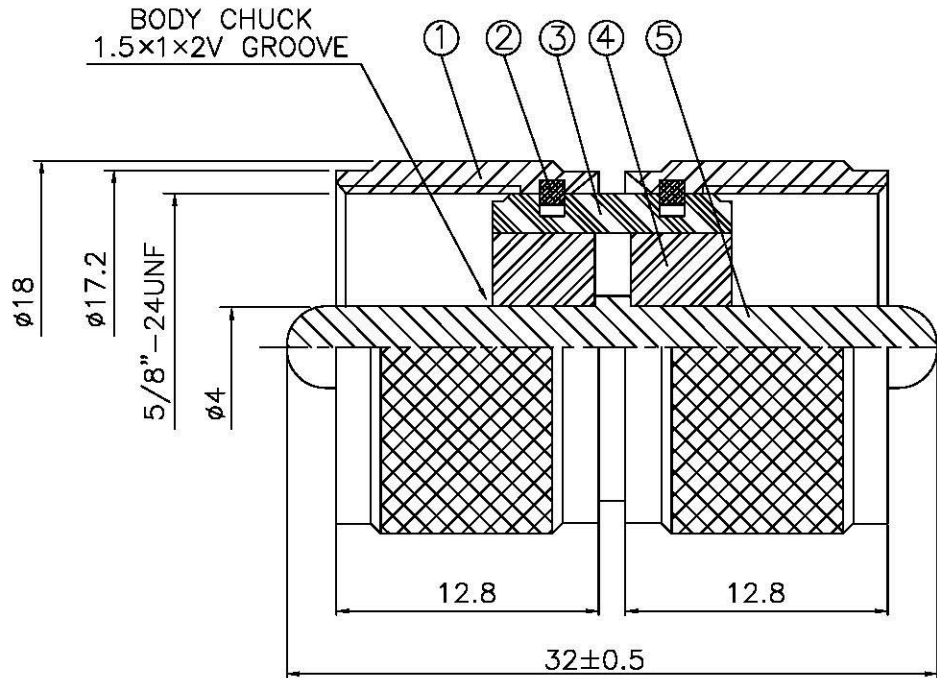
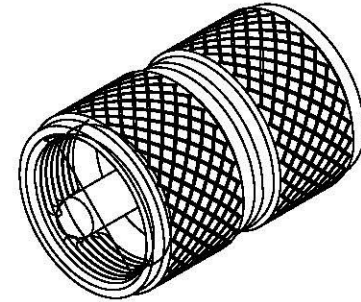


NO	DESCRIPTION	MATERIAL	Q'TY	FINISH
1	SHELL	BRASS	2	NICKEL
2	WASHER	BRASS	2	NICKEL
3	BODY	BRASS	1	NICKEL
4	INSULATION	DELTRIN	2	DELTRIN
5	PIN	BRASS	1	NICKEL



All Connectors

www.allconnectors.de
Tel: 0644 711 7009504
70794 Hilders, ULL, Germany

info@allconnectors.de
Fax: 0644 711 7009504
info@allconnectors.de

TITLE
MALE-MALE-ADAPTOR

PART NO.
UHF-11-DNN

DRAWING NO. **UHF 11 DNN**

DRAWN **MARY** DATE **96.07.09**

CHECKED **蘇志欣** DATE

Q.A. **蘇姿潔** DATE

APPROVAL **徐燦霖** DATE

REVISION DATE

DIMENSIONS ARE IN MILLIMETERS

UNLESS OTHERWISE SPECIFIED TOLERANCE

0.5-5=±0.2 120-315=±1

5-30=±0.4 315-1000=±1.6

30-120=±0.6 1000-2000=±2.4

SCALE **4:1**

SIZE **A**

REVISION

DESCRIPTION ENGINEER