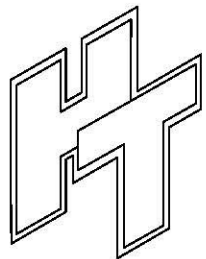
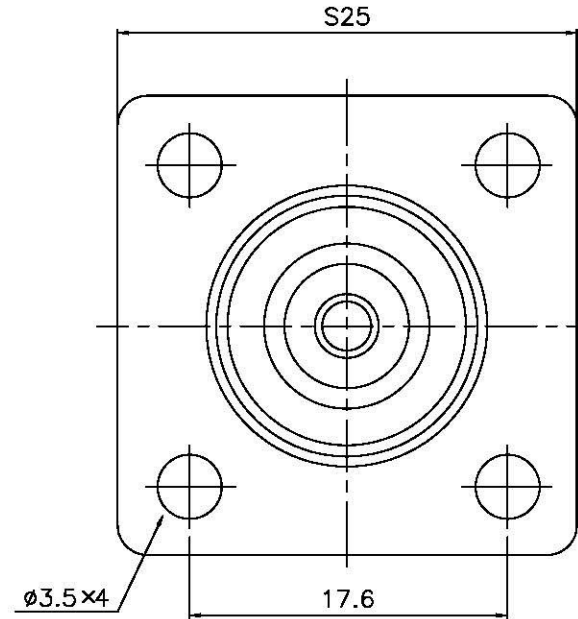
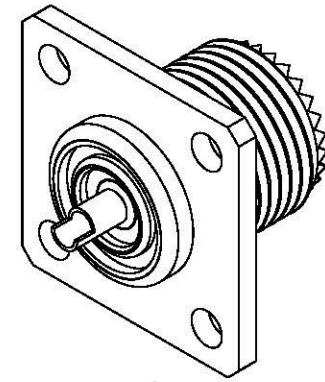
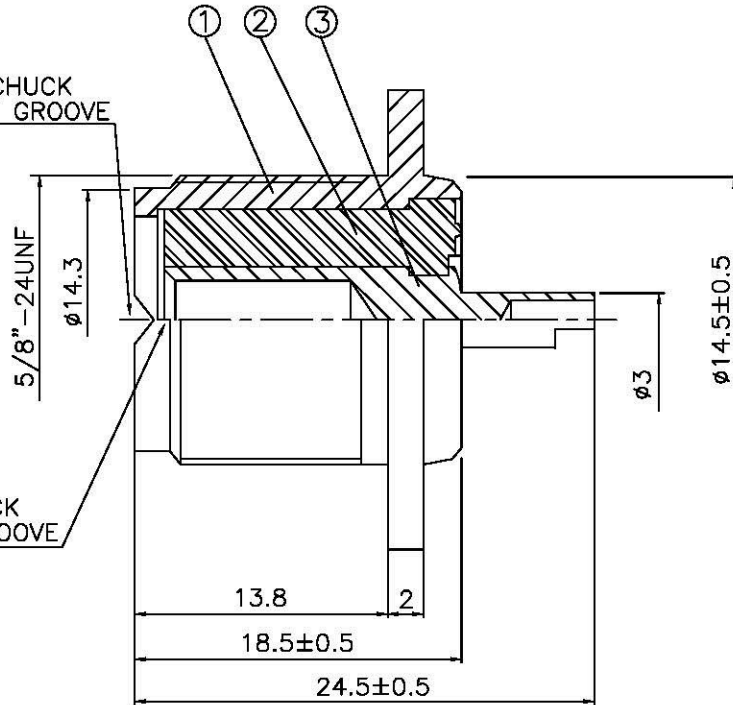


NO	DESCRIPTION	MATERIAL	Q'TY	FINISH
1	BODY	ZIN	1	NICKEL
2	INSULATION	DELTRIN	1	DELTRIN
3	PIN	BRASS	1	GOLD

BODY CHUCK
2.5x1x16V GROOVE

PIN CHUCK
0.5x6x4 GROOVE



All Connectors

www.allconnectors.de
Tel: 0049 711 200868
Königsplatz 1, Germany

Info@allconnectors.de
Fax: 0049 711 700804
Königsplatz 1, 25

TITLE
PANEL FEMALE RECEPTACLE

PART NO.
UHF-10-DGN

DRAWING NO.
UHF 10 DGN

DRAWN MARY DATE 96.02.01

CHECKED 黃巧君 DATE

Q.A. 蘇姿潔 DATE

APPROVAL 徐燦霖 DATE

REVISION DATE

DIMENSIONS ARE IN MILLIMETERS

UNLESS OTHERWISE SPECIFIED TOLERANCE

0.5-5=±0.2 120-315=±1

5-30=±0.4 315-1000=±1.6

30-120=±0.6 1000-2000=±2.4

SCALE 4:1 SIZE A

REVISION

DESCRIPTION ENGINEER