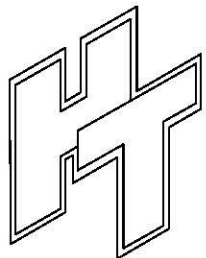
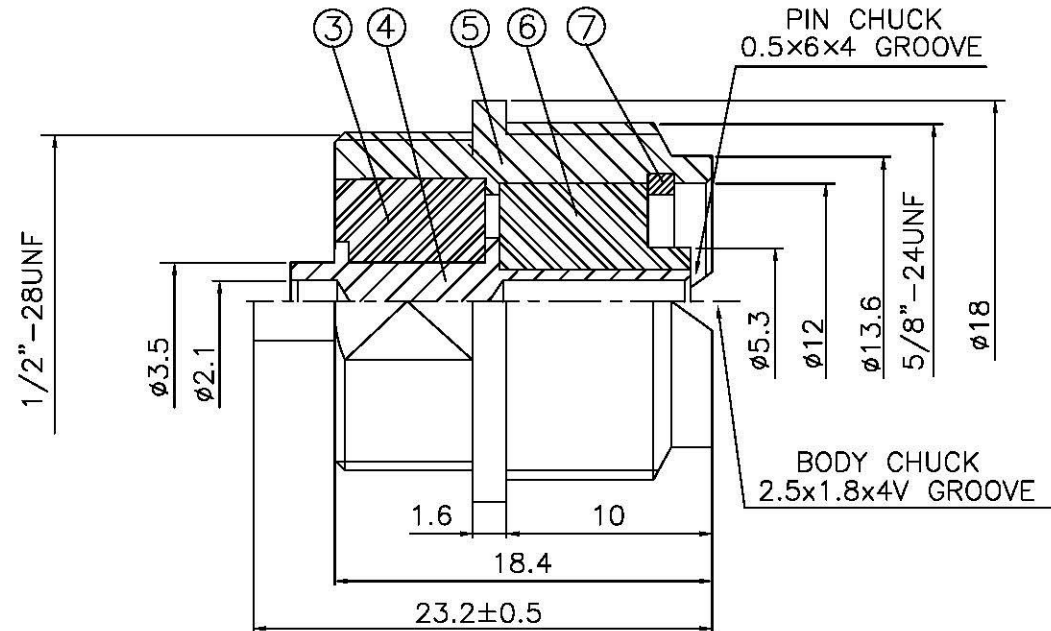
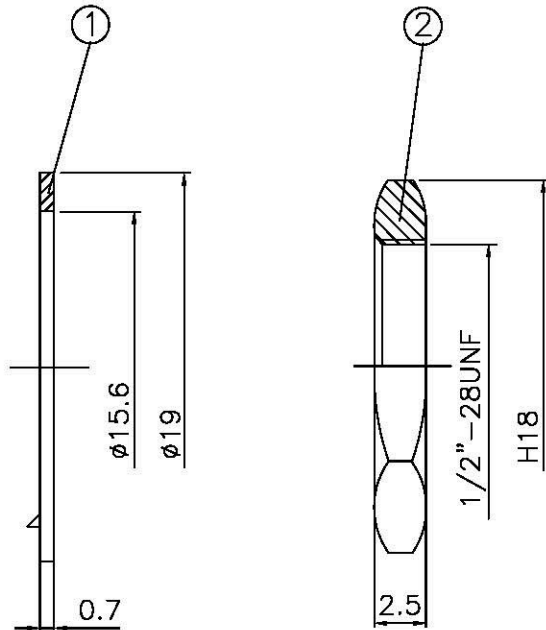
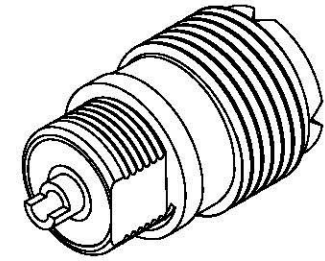


NO	DESCRIPTION	MATERIAL	Q'TY	FINISH
1	WASHER	BRASS	1	NICKEL
2	NUT	BRASS	1	NICKEL
3	INSULATION	DELRIN	1	DELRIN
4	PIN	BRASS	1	NICKEL
5	BODY	BRASS	1	NICKEL
6	INSULATION	DELRIN	1	DELRIN



All Connectors

www.allconnectors.de
Tel.: 0049 711 7002501
70794 Filberstadt - Germany

info@allconnectors.de
Fax: 0049 711 7002504
Kettnerstr. 25

TITLE
BULKHEAD FEMALE RECEPTACLE

PART NO.
UHF-09-DNN

DRAWING NO. UHF 09 DNN

DRAWN MARY DATE 96.07.09

CHECKED 蘇志欣 DATE

Q.A. 蘇姿潔 DATE

APPROVAL 徐燦霖 DATE

REVISION DATE

DIMENSIONS ARE IN MILLIMETERS

UNLESS OTHERWISE SPECIFIED TOLERANCE

0.5-5=±0.2 120-315=±1

5-30=±0.4 315-1000=±1.6

30-120=±0.6 1000-2000=±2.4

SCALE 4:1 SIZE A

REVISION

DESCRIPTION ENGINEER