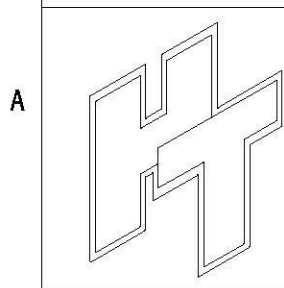
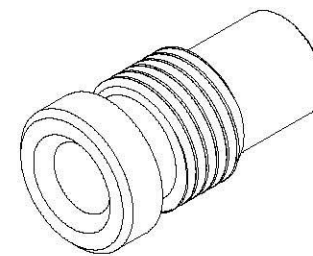
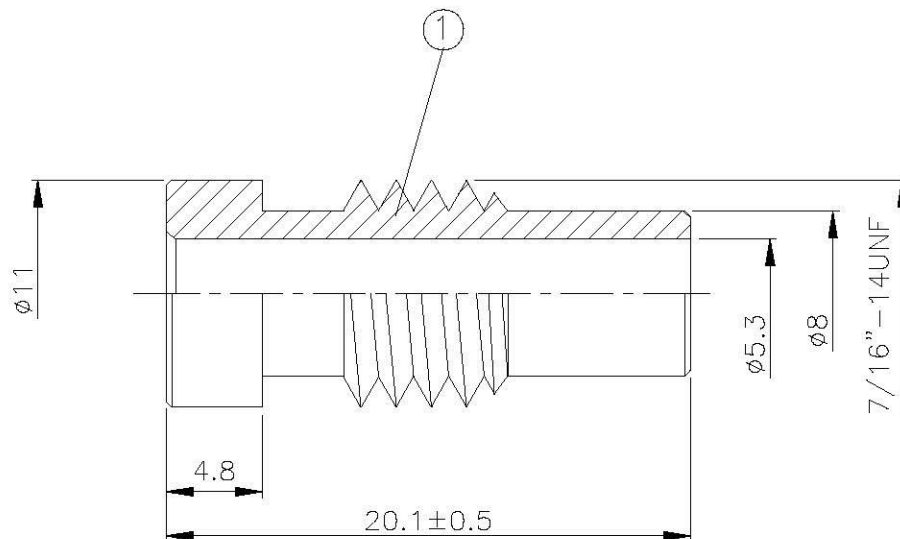


NO	DESCRIPTION	MATERIAL	Q'TY	FINISH	REMARK
1	BODY	BRASS	1	NICKEL	B-UHF0430-N



**All Connectors**

www.allconnectors.com info@allconnectors.com  
 TEL: 0049 711 7095001 FAX: 0049 711 7095001  
 70794 Flörsdal - Germany Kellernstr. 25

TITLE REDUCER FOR PL259  
 RG58U, 58A/U, 141A/U

PART NO. UHF-08F-NICKEL

DRAWING NO. UHF 08F NICKEL

DRAWN MARY DATE 96.07.09

CHECKED 蘇志欣 DATE

Q.A. 蘇姿潔 DATE

APPROVAL 徐燦霖 DATE

REVISION DATE

DIMENSIONS ARE IN MILLIMETERS

UNLESS OTHERWISE SPECIFIED  
 TOLERANCE

0.5-5=±0.2	120-315=±1
5-30=±0.4	315-1000=±1.6
30-120=±0.6	1000-2000=±2.4

SCALE 4:1 SIZE A

REVISION

DESCRIPTION	ENGINEER