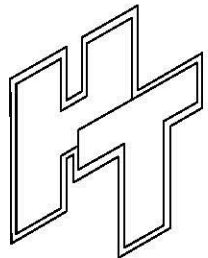
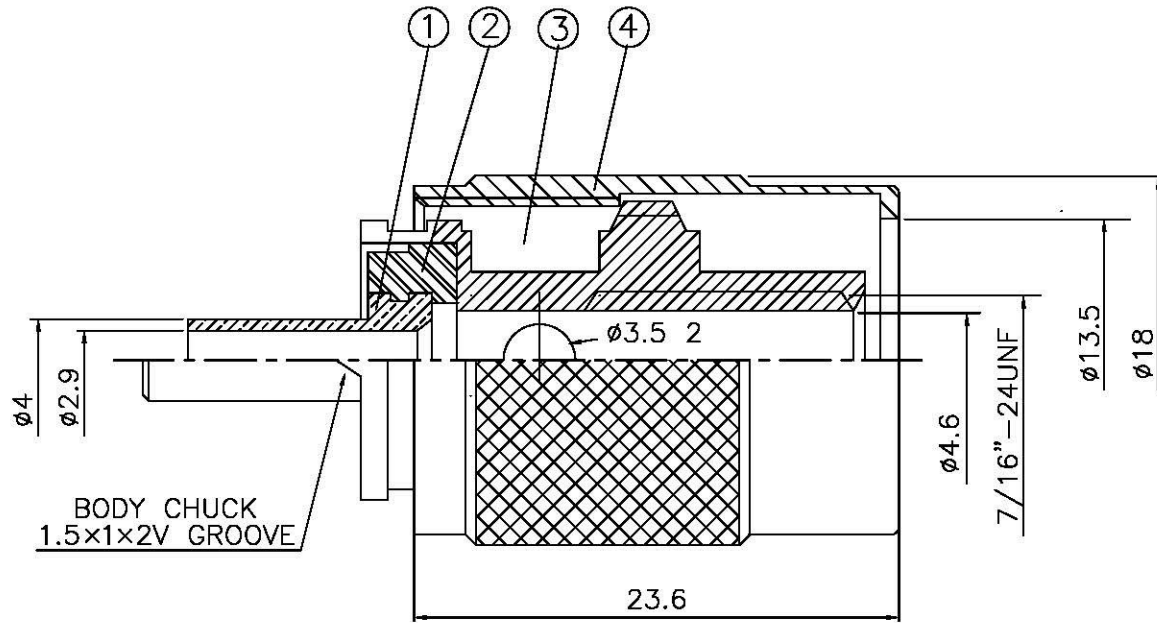
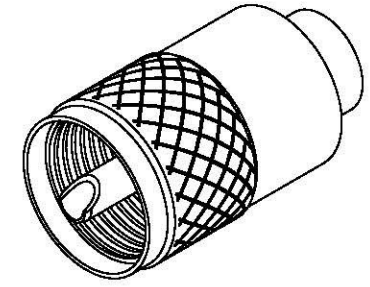


NO	DESCRIPTION	MATERIAL	Q'TY	FINISH
1	PIN	BRASS	1	NICKEL
2	INSULATION	DELRIN	1	DELRIN
3	BODY	BRASS	1	NICKEL
4	SHELL	BRASS	1	NICKEL



**Allconnectors**  
 www.allconnectors.de      info@allconnectors.de  
 Tel.: 0049 711 7000500      Fax: 0049 711 7000504  
 70794 Filderstadt - Germany      Kettnerstr. 25

TITLE **MALE TWIST ON  
 RG58U, 58A/U, 141A/U**  
 PART NO. **UHF-07F-DNN**  
 DRAWING NO. **UHF 07FDNN**

DRAWN **MARY**  
 CHECKED **黃巧君**  
 Q.A. **蘇姿潔**  
 APPROVAL **徐燦霖**  
 REVISION

DATE **96.02.01**  
 DATE **96.02.01**  
 DATE  
 DATE

**DIMENSIONS ARE IN MILLIMETERS**  
**UNLESS OTHERWISE SPECIFIED**  
**TOLERANCE**  
 0.5-5=±0.2      120-315=±1  
 5-30=±0.4      315-1000=±1.6  
 30-120=±0.6      1000-2000=±2.4  
 SCALE **4:1**      SIZE **A**

REVISION	
DESCRIPTION	ENGINEER