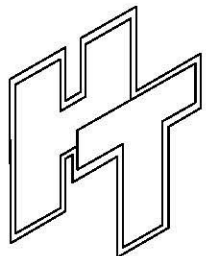
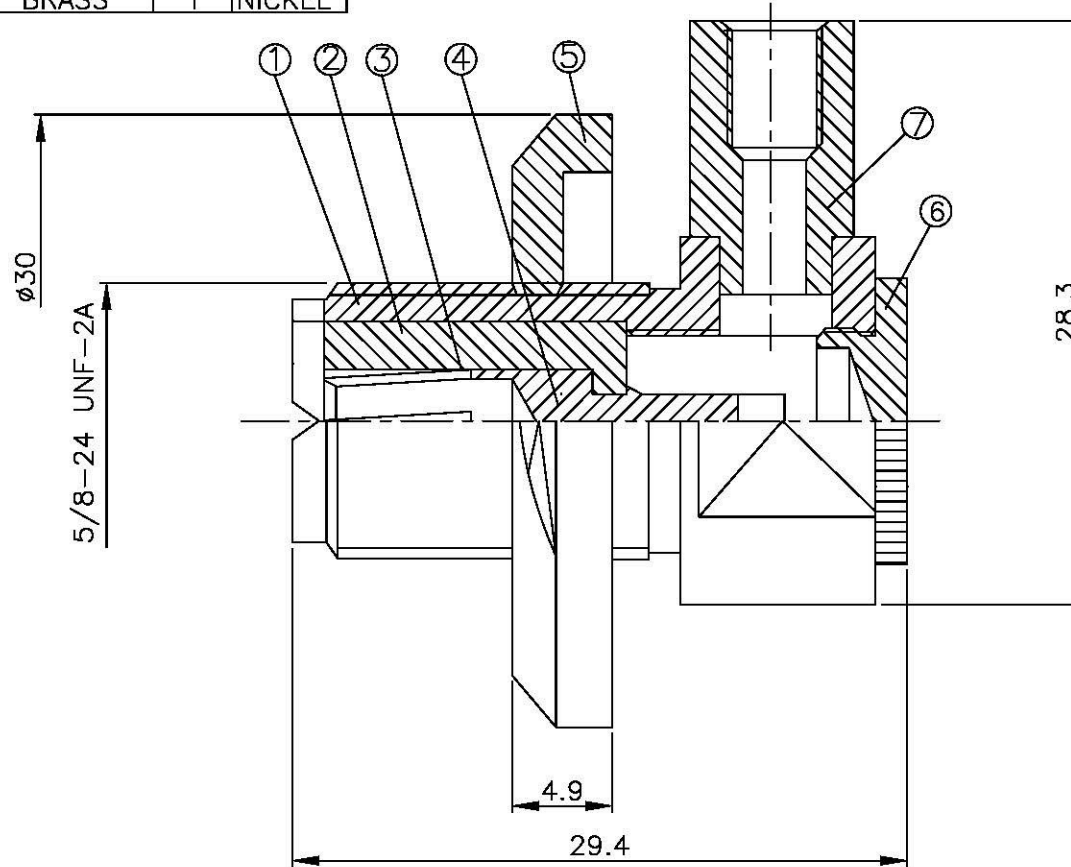
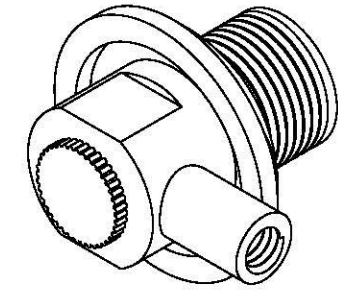


NO	DESCRIPTION	MATERIAL	Q'TY	FINISH
1	BODY	BRASS	1	NICKEL
2	INSULATION	DELIN	1	DELIN
3	PIN 1	BRASS	1	NICKEL
4	PIN 2	BRASS	1	NICKEL
5	NUT	BRASS	1	NICKEL
6	SLEEVE	BRASS	1	NICKEL
7	CHASSIS	BRASS	1	NICKEL



**Allconnectors**  
 www.allconnectors.de info@allconnectors.de  
 Tel: +49 4304 211 200000 Fax: +49 4304 211 200004  
 20294 Ffrenchholz, Germany Kollmannstr. 25

TITLE RIGHT ANGLE FEMALE TWIST ON  
RG59/U  
 PART NO. UHF-06G-DNN  
 DRAWING NO. UHF 06G DNN

DRAWN	MARY	DATE	81.07.12
CHECKED	蘇姿潔	DATE	
Q.A.	馮健華	DATE	
APPROVAL	徐慶霖	DATE	
REVISION		DATE	

DIMENSIONS ARE IN MILLIMETERS  
 UNLESS OTHERWISE SPECIFIED  
 TOLERANCE  
 0.5-5=±0.2 120-315=±1  
 5-30=±0.4 315-1000=±1.6  
 30-120=±0.6 1000-2000=±2.4  
 SCALE 4:1 SIZE A

REVISION	
DESCRIPTION	ENGINEER