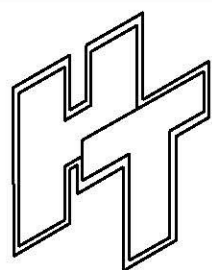
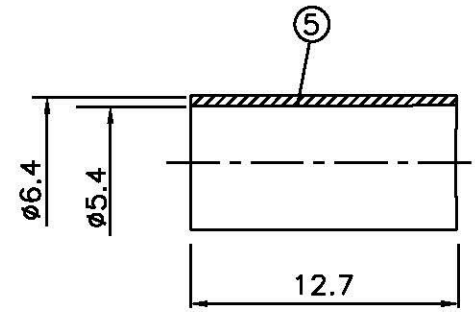
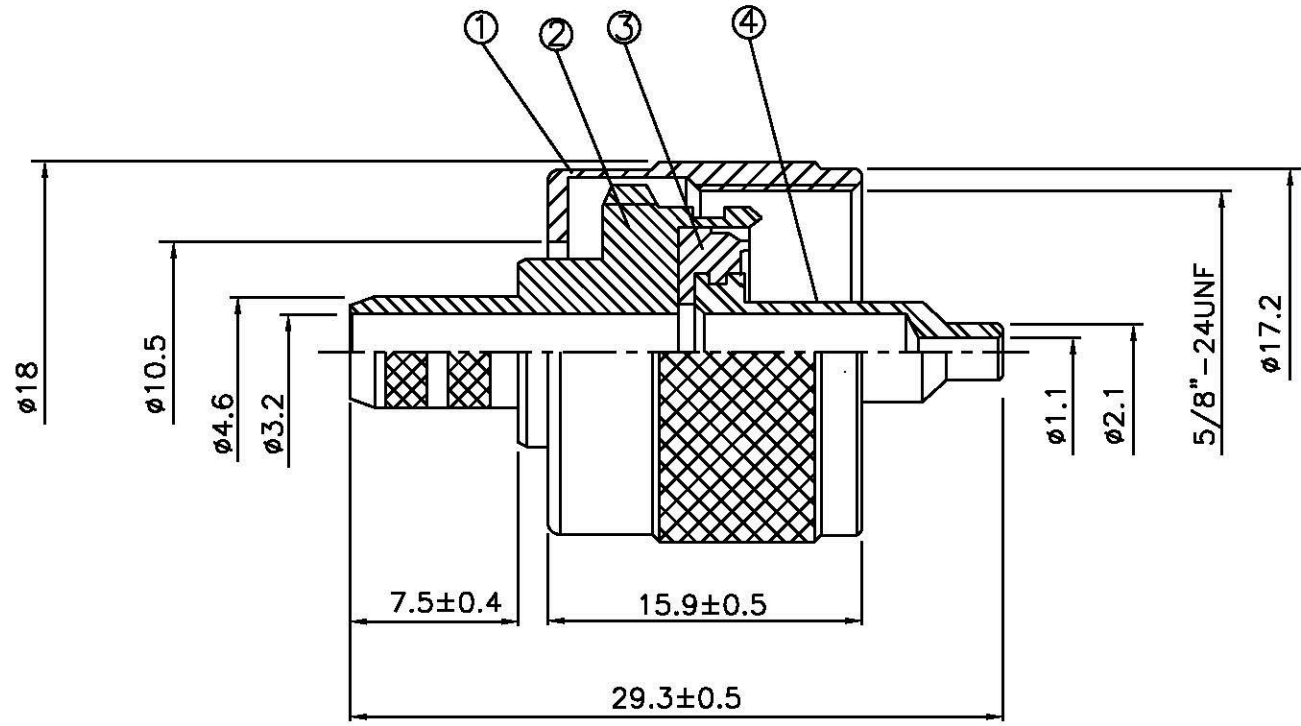
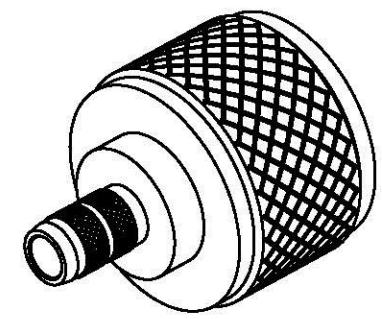


NO	DESCRIPTION	MATERIAL	Q'TY	FINISH
1	SHELL	BRASS	1	NICKEL
2	BODY	BRASS	1	NICKEL
3	INSULATION	DELTRIN	1	DELTRIN
4	PIN	BRASS	1	NICKEL
5	RING	BRASS	1	NICKEL



All Connectors
 www.allconnectors.de
 Tel.: 0049 711 7000503
 70794 Filberstadt - Germany
 info@allconnectors.de
 Fax: 0049 711 7000504
 Kette merstr. 25

TITLE MALE CRIMP
 RG58U, 58A/U, 141A/U
 PART NO. UHF-04F-DNN
 DRAWING NO. UHF 04F DNN

DRAWN	MARY	DATE	96.03.22
CHECKED	蘇姿潔	DATE	
Q.A.	馮健華	DATE	
APPROVAL	徐燦霖	DATE	
REVISION		DATE	

DIMENSIONS ARE IN MILLIMETERS			
UNLESS OTHERWISE SPECIFIED TOLERANCE			
0.5-5=±0.2	120-315=±1		
5-30=±0.4	315-1000=±1.6		
30-120=±0.6	1000-2000=±2.4		
SCALE	4:1	SIZE	A

REVISION	
DESCRIPTION	ENGINEER