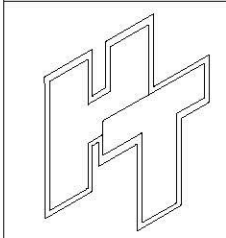
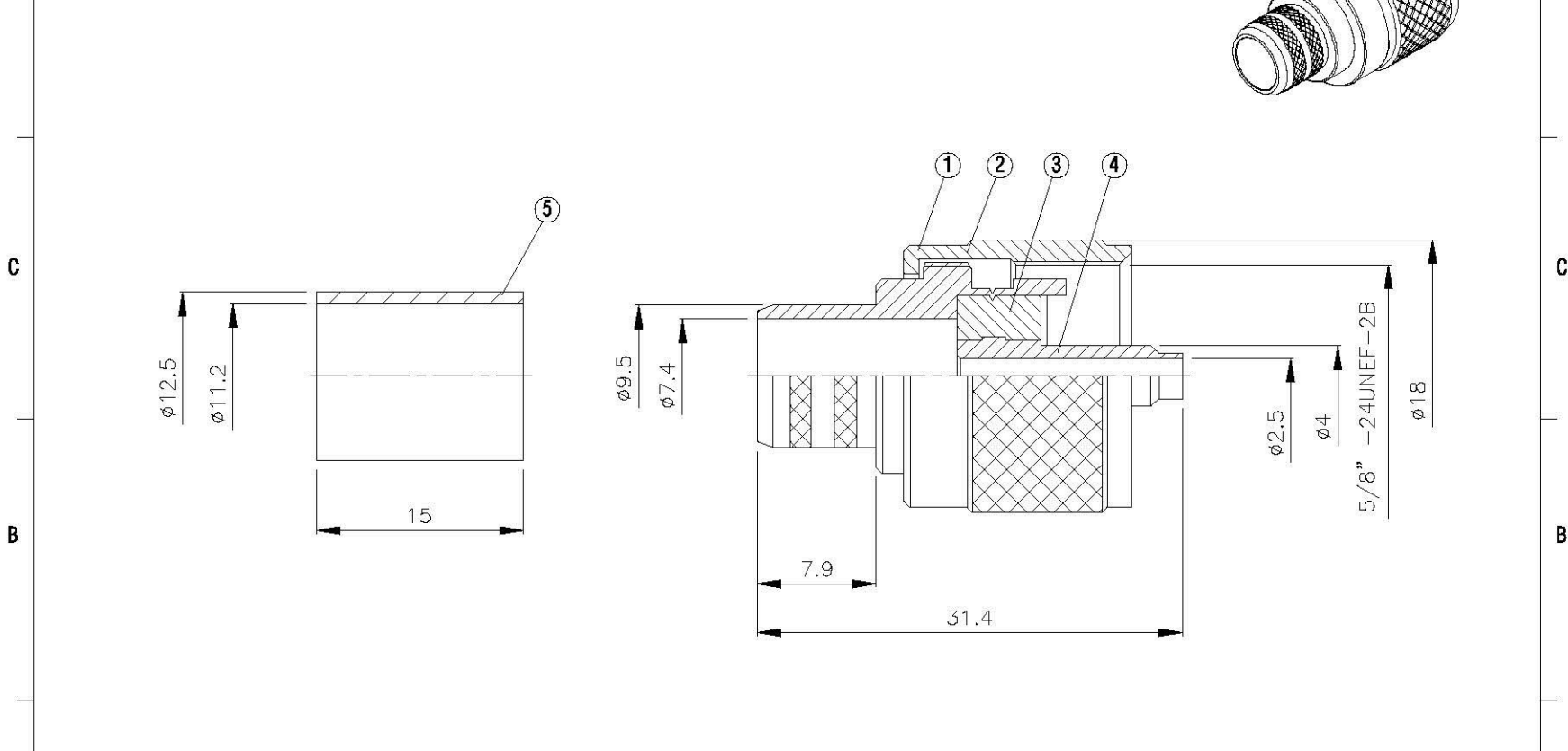
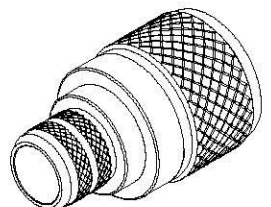


NO	DESCRIPTION	MATERIAL	Q'TY	FINISH	REMARK
1	SHELL	BRASS	1	NICKEL	B-UHF0689-N
2	BODY	BRASS	1	NICKEL	B-UHF0694-N
3	INSULATION	DELRIN	1	DELRIN	I-0331D
4	PIN	BRASS	1	GOLD	P-UHF0467-G
5	RING	BRASS	1	NICKEL	R-0057-G



All Connectors
 www.allconnectors.de
 Tel: 0049 711 7080933
 40201 Düsseldorf - Germany

Info@allconnectors.de
 Fax: 0049 711 7080904
 40201 Düsseldorf, D

TITLE
UHF MALE CRIMP FOR RG-213/U

PART NO.
UHF 04B DGN

DRAWING NO.
UHF 04B DGN

DRAWN MARY **DATE** 95.09.05

CHECKED 黃巧君 **DATE**

Q.A. 蘇姿潔 **DATE**

APPROVAL 徐燦霖 **DATE**

REVISION **DATE**

DIMENSIONS ARE IN MILLIMETERS

UNLESS OTHERWISE SPECIFIED TOLERANCE

0.5-5=±0.2	120-315=±1
5-30=±0.4	315-1000=±1.6
30-120=±0.6	1000-2000=±2.4

SCALE 4:1 **SIZE** A

REVISION	
DESCRIPTION	ENGINEER

4 3 2 1