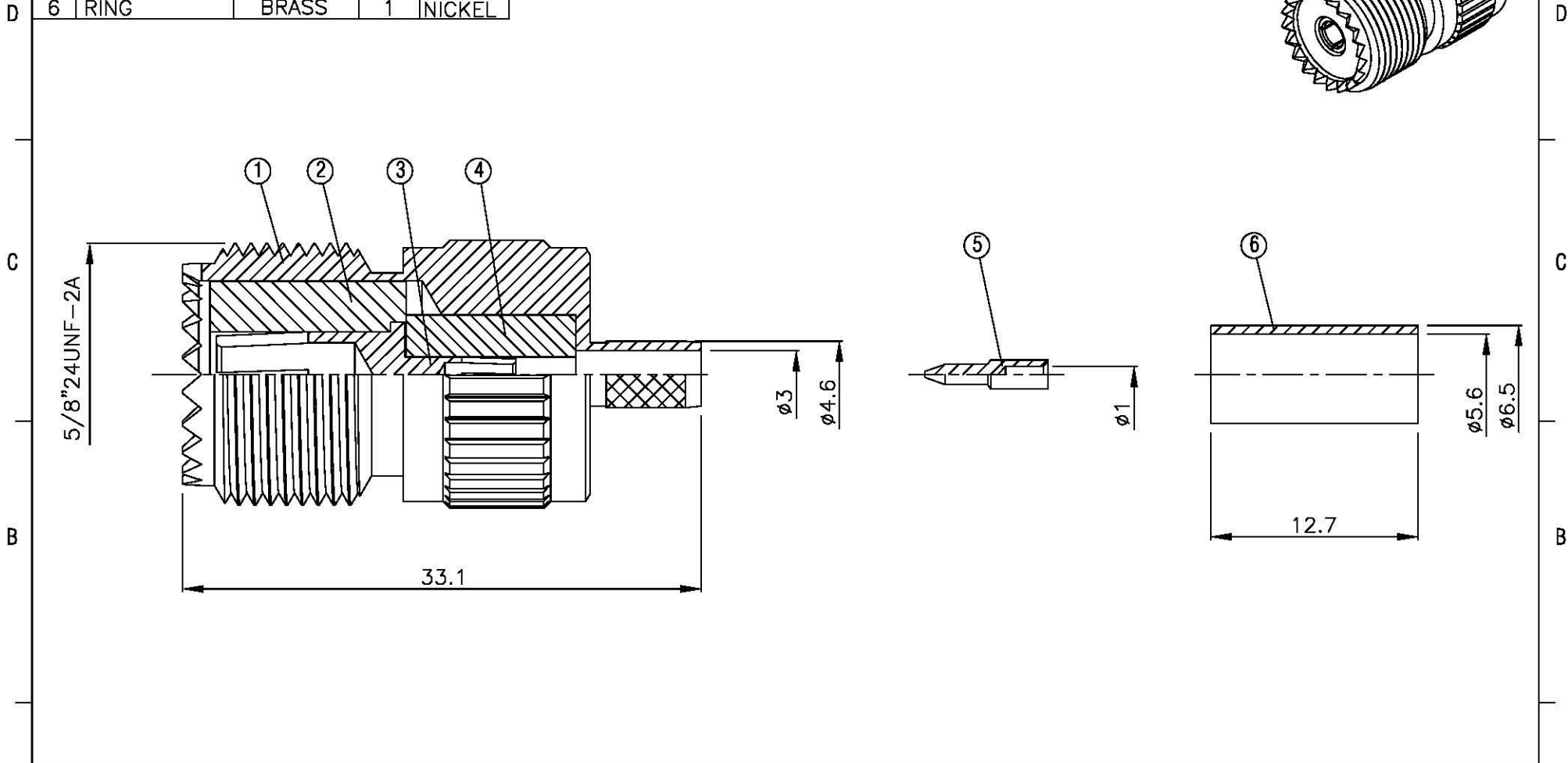
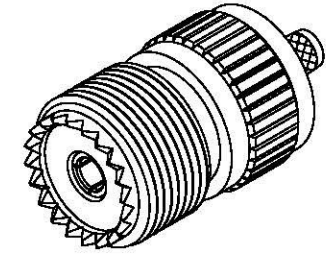


NO	DESCRIPTION	MATERIAL	Q'TY	FINISH
1	BODY	BRASS	1	NICKEL
2	INSULATION 1	DELRIN	1	DELRIN
3	PIN 1	BRASS	1	NICKEL
4	INSULATION 2	DELRIN	1	DELRIN
5	PIN 2	BRASS	1	GOLD
6	RING	BRASS	NICKEL	



	<b>All Connectors</b> <small>www.allconnectors.de          Tel: 049 711 7062631          70734 Hilderstadt - Germany</small>	DRAWN MARY DATE 94.07.29	DIMENSIONS ARE IN MILLIMETERS				REVISION	
		CHECKED 蘇姿潔 DATE	UNLESS OTHERWISE SPECIFIED TOLERANCE				DESCRIPTION	ENGINEER
		Q.A. 馮健華 DATE	0.5-5=±0.2	120-315=±1				
		APPROVAL 徐燦霖 DATE	5-30=±0.4	315-1000=±1.6				
		REVISION DATE	30-120=±0.6	1000-2000=±2.4	SCALE 4:1	SIZE A		
TITLE UHF FEMALE RG58U, 58C/U, 141A/U	PART NO. UHF-03F-DGN	DRAWING NO. UHF 03F DGN						