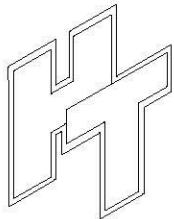
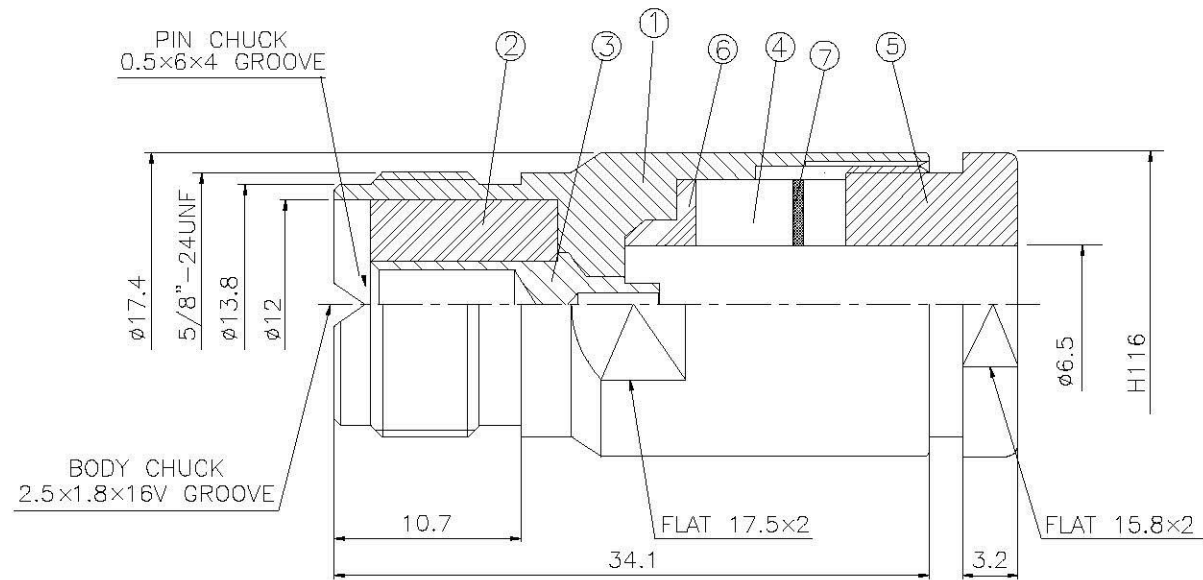
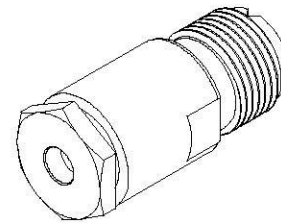


NO	DESCRIPTION	MATERIAL	Q'TY	FINISH
1	BODY	BRASS	1	NICKEL
2	INSULATION	DELRIN	1	DELRIN
3	PIN	BRASS	1	GOLD
4	GASKET	RUBBER	1	RUBBER
5	NUT	BRASS	1	NICKEL
6	SLEEVE	BRASS	1	NICKEL
7	WASHER	BRASS	1	NICKEL



**All Connectors**  
 www.allconnectors.com  
 Tel: 852 2412 0181  
 Email: allconnect@allconnect.com

**TITLE FEMALE CLAMP**  
**RG-59/U(75 Ohm)**

**PART NO. UHF-02G-DGN**

**DRAWING NO. UHF 02G DGN**

**DRAWN MARY DATE 96.07.09**

**CHECKED 蘇志欣 DATE**

**Q.A. 蘇姿潔 DATE**

**APPROVAL 徐燦霖 DATE**

**REVISION DATE**

**DIMENSIONS ARE IN MILLIMETERS**

UNLESS OTHERWISE SPECIFIED TOLERANCE			
0.5-5=±0.2	120-315=±1		
5-30=±0.4	315-1000=±1.6		
30-120=±0.6	1000-2000=±2.4		
<b>SCALE</b>	<b>4:1</b>	<b>SIZE</b>	<b>A</b>

**REVISION**

DESCRIPTION	ENGINEER