

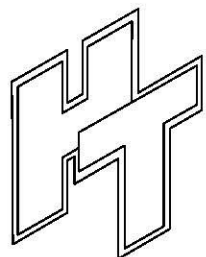
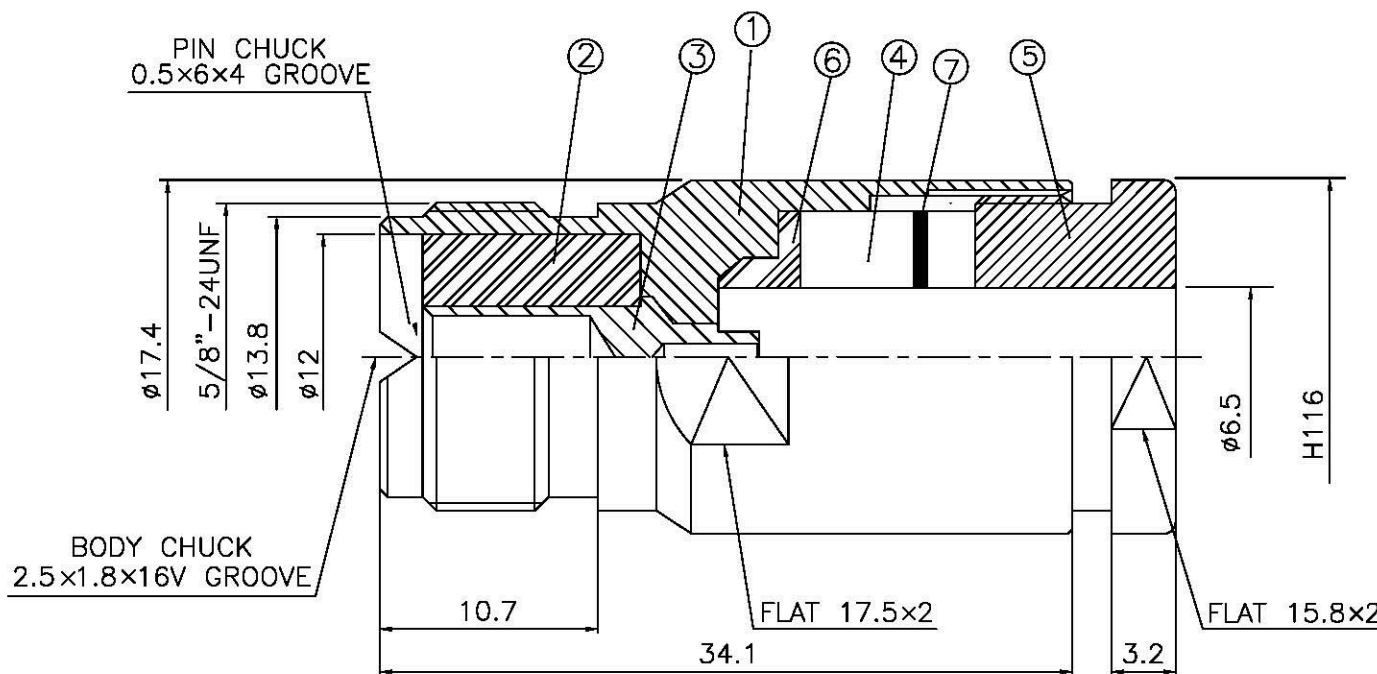
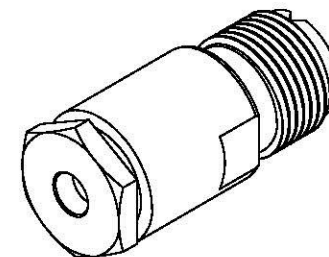
4

3

2

1

NO	DESCRIPTION	MATERIAL	Q'TY	FINISH
1	BODY	BRASS	1	NICKEL
2	INSULATION	DELRIN	1	DELRIN
3	PIN	BRASS	1	GOLD
4	GASKET	RUBBER	1	RUBBER
5	NUT	BRASS	1	NICKEL
6	SLEEVE	BRASS	1	NICKEL
7	WASHER	BRASS	1	NICKEL



All Connectors

www.allconnectors.de
Tel.: 0049 711 7009503
70291 Filderstadt - Germany

info@allconnectors.de
Fax: 0049 711 7009504
Kettnerstr. 25

TITLE **FEMALE CLAMP**
RG58U, 58C/U, 141A/U

PART NO.
UHF-02F-DGN

DRAWING NO. **UHF 02F DGN**

DRAWN **MARY** DATE **96.07.09**

CHECKED **蘇志欣** DATE

Q.A. **蘇姿潔** DATE

APPROVAL **徐燦霖** DATE

REVISION DATE

DIMENSIONS ARE IN MILLIMETERS

UNLESS OTHERWISE SPECIFIED
TOLERANCE

0.5-5=±0.2 120-315=±1

5-30=±0.4 315-1000=±1.6

30-120=±0.6 1000-2000=±2.4

SCALE 4:1 SIZE A

REVISION

DESCRIPTION ENGINEER

4

3

2

1