

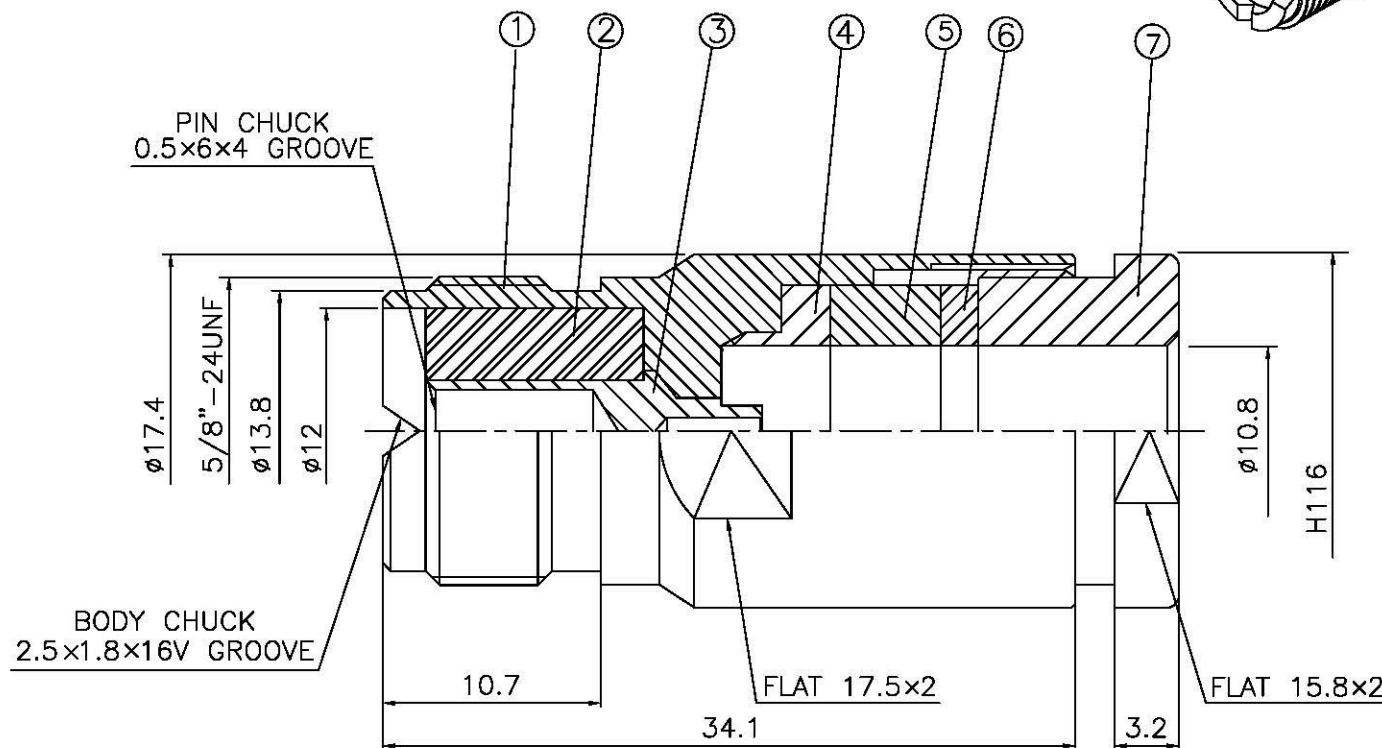
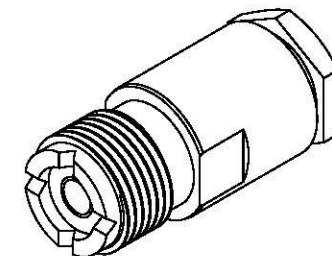
4

3

2

1

| NO | DESCRIPTION | MATERIAL | Q'TY | FINISH |
|----|-------------|----------|------|--------|
| 1  | BODY        | BRASS    | 1    | NICKEL |
| 2  | INSULATION  | DELRIN   | 1    | DELRIN |
| 3  | PIN         | BRASS    | 1    | GOLD   |
| 4  | SLEEVE      | BRASS    | 1    | NICKEL |
| 5  | GASKET      | RUBBER   | 1    | RUBBER |
| 6  | WASHER      | BRASS    | 1    | NICKEL |
| 7  | NUT         | BRASS    | 1    | NICKEL |



D

D

C

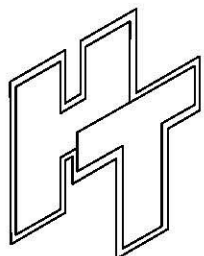
C

B

B

A

A



**All Connectors**

www.allconnectors.de  
Tel.: 0049 7141 7008203  
70794 Filkefordsdt Germany

Info@allconnectors.de  
Fax: 0049 7141 7008204  
Kettefordsdt 25

TITLE UHF FEMALE CLAMP  
FOR RG-213/U

PART NO.  
UHF-02B-DGN

DRAWING NO. UHF-02B-DGN

DRAWN MARY DATE 96.07.09

CHECKED 蘇志欣 DATE

Q.A. 蘇姿潔 DATE

APPROVAL 徐燦霖 DATE

REVISION DATE

DIMENSIONS ARE IN MILLIMETERS

UNLESS OTHERWISE SPECIFIED  
TOLERANCE

0.5-5=±0.2 120-315=±1

5-30=±0.4 315-1000=±1.6

30-120=±0.6 1000-2000=±2.4

SCALE 4:1 SIZE A

REVISION

DESCRIPTION ENGINEER

4

3

2

1