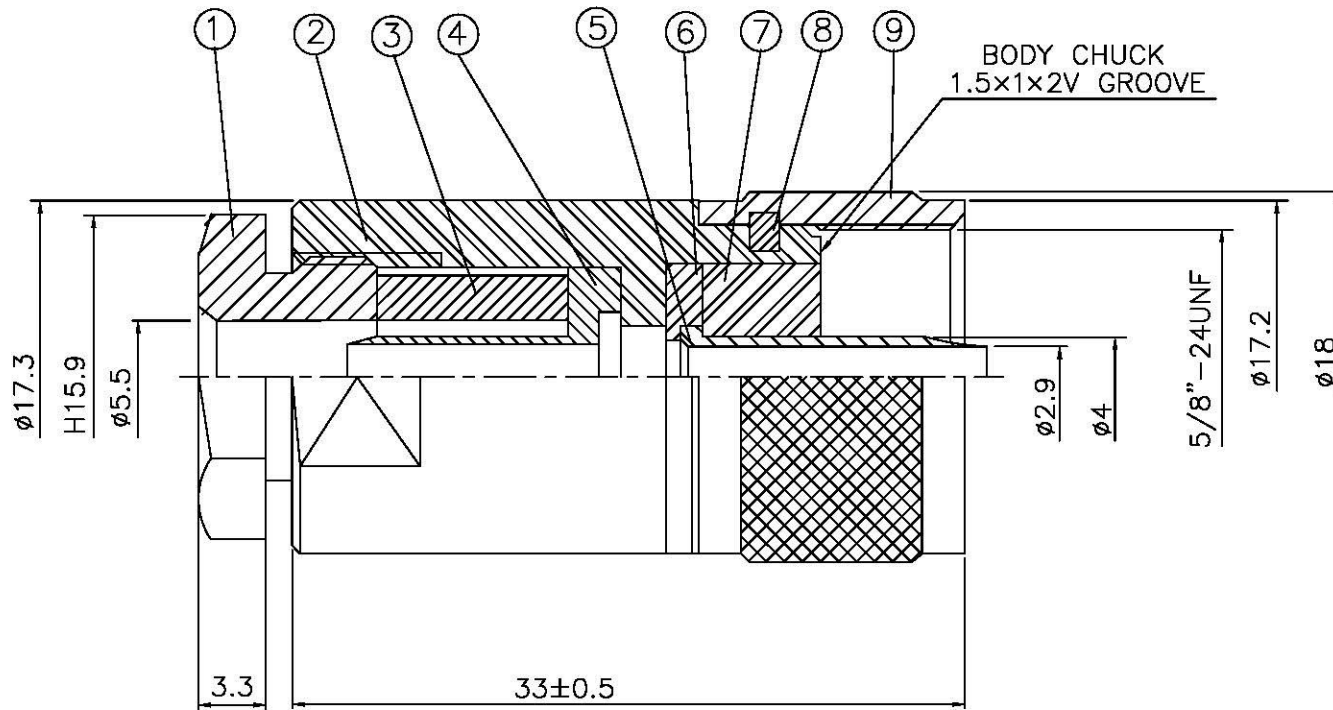
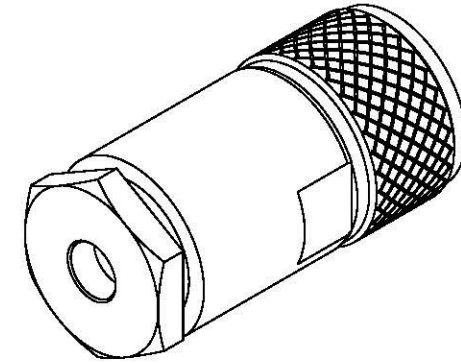


NO	DESCRIPTION	MATERIAL	Q'TY	FINISH
1	NUT	BRASS	1	NICKEL
2	BODY	BRASS	1	NICKEL
3	GASKET	SI RUBBER	1	RUBBER
4	SLEEVE	BRASS	1	GOLD
5	PIN	BRASS	1	GOLD
6	INSULATION	DELKIN	1	DELKIN
7	INSULATION	DELKIN	1	DELKIN
8	WASHER	BRASS	1	NICKEL
9	SHELL	BRASS	1	NICKEL



	<b>All Connectors</b> <small>www.allconnectors.de    info@allconnectors.de</small> <small>Tel: +0049 711 7000800    Fax: +0049 711 7000804</small> <small>Königsplatz 12    40754 Hildenstadt, Germany</small>	<b>DRAWN</b> MARY <b>DATE</b> 95.11.23	<b>DIMENSIONS ARE IN MILLIMETERS</b>		<b>REVISION</b>		
		<b>CHECKED</b> 黃巧君	<b>DATE</b>	<b>UNLESS OTHERWISE SPECIFIED TOLERANCE</b>		<b>DESCRIPTION</b>	<b>ENGINEER</b>
		<b>Q.A.</b> 蘇姿潔	<b>DATE</b>	0.5-5=±0.2    120-315=±1			
		<b>APPROVAL</b> 徐燦霖	<b>DATE</b>	5-30=±0.4    315-1000=±1.6			
		<b>REVISION</b>	<b>DATE</b>	30-120=±0.6    1000-2000=±2.4			
<b>TITLE</b> MALE CLAMP RG58U, 58C/U,	<b>PART NO.</b> UHF-01F-DGN	<b>DRAWING NO.</b> UHF 01F DGN	<b>SCALE</b> 4:1	<b>SIZE</b> A			