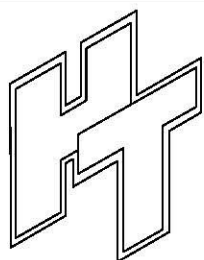
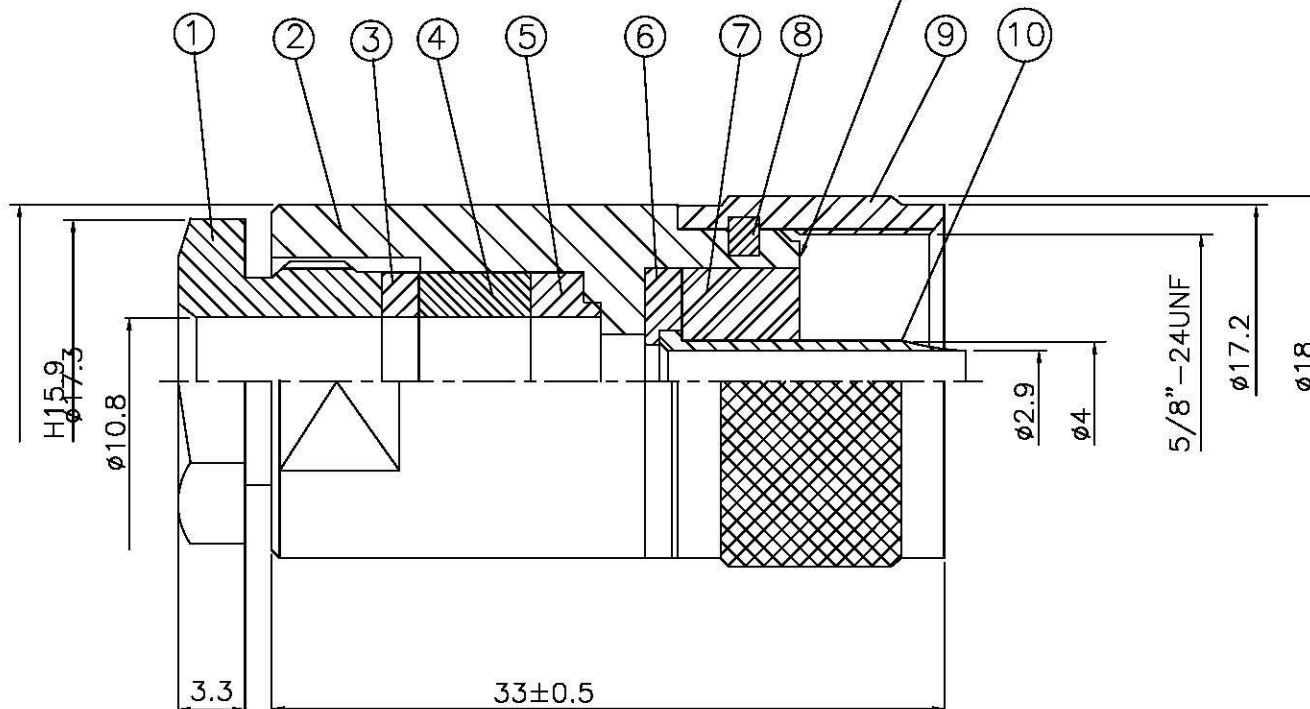
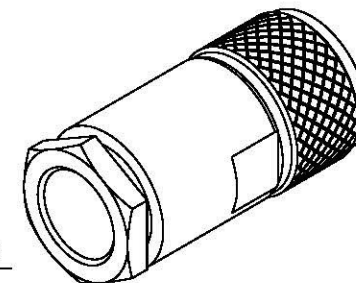


NO	DESCRIPTION	MATERIAL	Q'TY	FINISH
1	NUT	BRASS	1	NICKEL
2	BODY	BRASS	1	NICKEL
3	WASHER	BRASS	1	NICKEL
4	GASKET	SI RUBBER	1	RUBBER
5	SLEEVE	BRASS	1	NICKEL
6	INSULATION	DELRIN	1	DELRIN
7	INSULATION	DELRIN	1	DELRIN
8	WASHER	BRASS	1	NICKEL
9	SHELL	BRASS	1	NICKEL
10	PIN	BRASS	1	GOLD



All Connectors
 www.allconnectors.de info@allconnectors.de
 Feld 0070 / D-1 8025004 Feld 0070 / D-1 8025004
 70254 Eilversheim - Germany Kellernstr. 25

TITLE **UHF MALE CLAMP FOR RG-213/U**
 PART NO. **UHF-01B-DGN**
 DRAWING NO. **UHF-01B-DGN**

DRAWN	MARY	DATE	96.02.01
CHECKED	黃巧君	DATE	
Q.A.	蘇姿潔	DATE	
APPROVAL	徐燦霖	DATE	
REVISION		DATE	

DIMENSIONS ARE IN MILLIMETERS			
UNLESS OTHERWISE SPECIFIED TOLERANCE			
0.5-5	± 0.2	120-315	± 1
5-30	± 0.4	315-1000	± 1.6
30-120	± 0.6	1000-2000	± 2.4
SCALE	4:1	SIZE	A

REVISION	
DESCRIPTION	ENGINEER