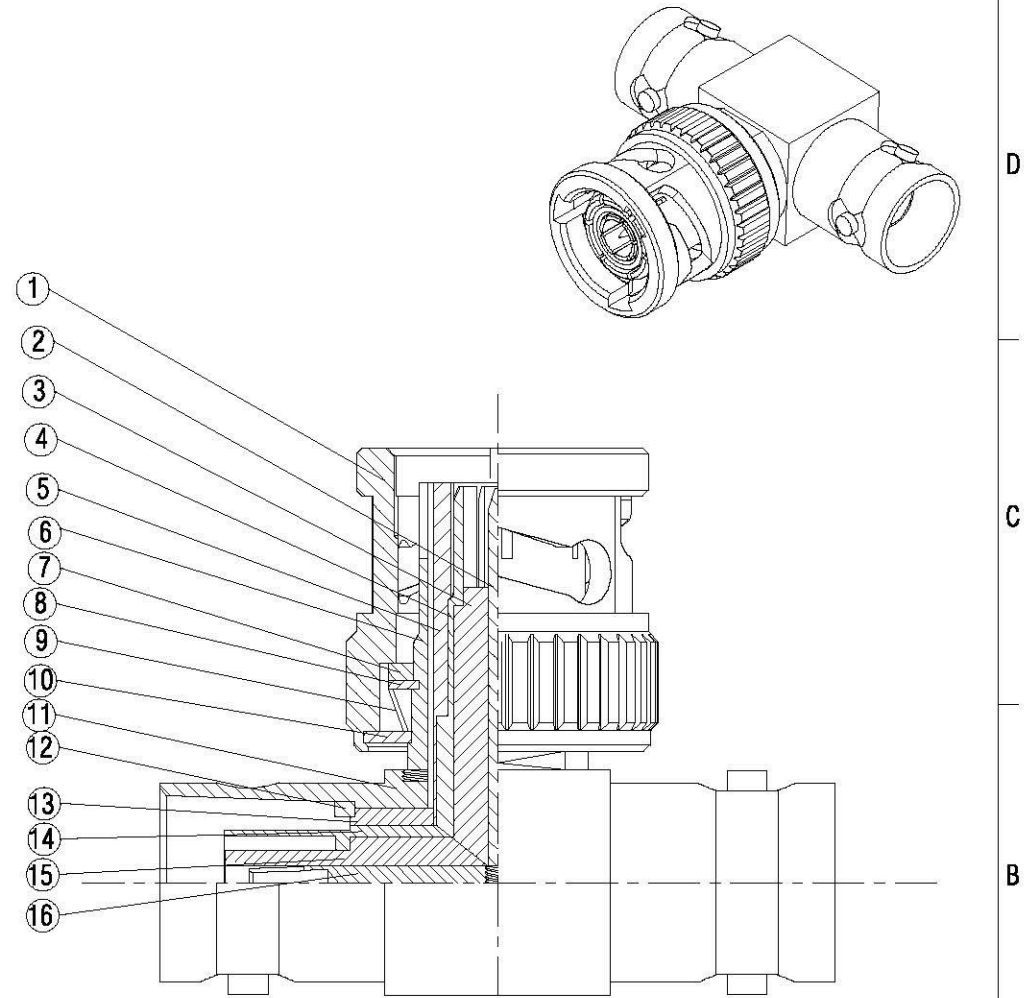
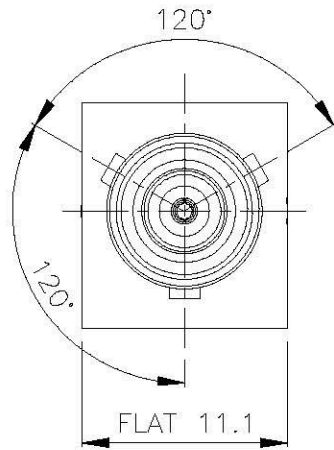


NO	DESCRIPTION	MATERIAL	Q'TY	FINISH	REMARK
1	BODY 1	BRASS	1	NICKEL	B-TRB0768-N
2	PIN 1	BRASS	1	GOLD	P-TRB0778-G
3	INSULATION 1	TEFLON	1	TEFLON	I-0532T
4	PIN 2	BRASS	1	GOLD	P-TRB0779-G
5	INSULATION 2	TEFLON	1	TEFLON	I-0533T
6	BODY 2	BRASS	1	NICKEL	B-TRB1108-N
7	RUBBER	SI RUBBER	1	RUBBER	RU-0010
8	WASHER 1	BRASS	1	NICKEL	W-0026-N
9	WASHER 2	BRASS	1	NICKEL	W-0027-N
10	WASHER 3	BRASS	1	NICKEL	W-0025-N
11	BODY 3	BRASS	1	NICKEL	B-TRB1103-N
12	WASHER 4	BRASS	1	NICKEL	W-0007-N
13	INSULATION 3	TEFLON	2	TEFLON	I-0529T
14	PIN 3	BRASS	1	GOLD	P-TRB0775-G
15	INSULATION 4	TEFLON	2	TEFLON	I-0531T
16	PIN 4	BE CU	1	GOLD	P-TRB0777-G



		DRAWN MARY DATE 92.12.28	DIMENSIONS ARE IN MILLIMETERS		REVISION		
	<small>www.allconnectors.com Tel.: 0049 711 2009503 70734 Filderstadt - Germany</small>	<small>info@allconnectors.com Fax: 0049 711 2009504 Kettnerstr. 25</small>	CHECKED 蘇姿潔 DATE	UNLESS OTHERWISE SPECIFIED TOLERANCE		DESCRIPTION	ENGINEER
	TITLE TRB IN SERIES ADAPTOR JACK - PLUG - JACK	Q.A. 馮健華 DATE	0.5-5=±0.2 120-315=±1				
	PART NO. TRB-05-TGN	APPROVAL 徐燦霖 DATE	5-30= ±0.4 315-1000=±1.6				
	DRAWING NO. TRB 05 TGN	REVISION DATE	30-120±0.6 1000-2000=±2.4	SCALE 4:1	SIZE A		