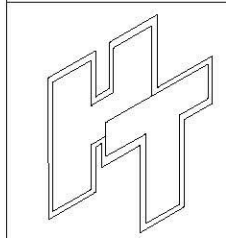
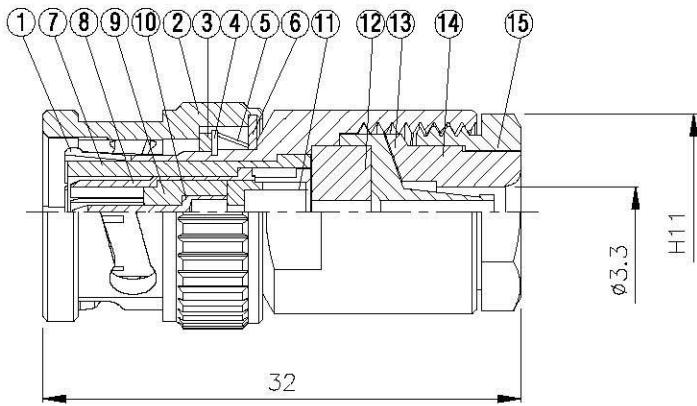
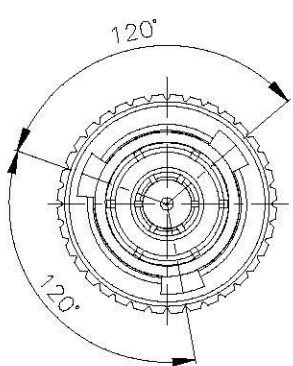
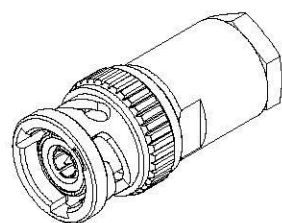


NO	DESCRIPTION	MATERIAL	Q'TY	FINISH	REMARK
1	BODY 1	BRASS	1	NICKEL	B-TRB0767-N
2	BODY 2	BRASS	1	NICKEL	B-TRB0768-N
3	GASKET	SI RUBBER	1	RUBBER	RU-0001
4	WASHER 1	BRASS	1	NICKEL	W-0026-N
5	WASHER 2	BRASS	1	NICKEL	W-0027-N
6	WASHER 3	BRASS	1	NICKEL	W-0025-N
7	INSULATION 1	TEFLON	1	TEFLON	I-0370T
8	PIN	PH.BRONZE	1	GOLD	P-TRB0537-G
9	INSULATION 2	TEFLON	1	TEFLON	I-0371T
10	PIN 2	BE CU	1	GOLD	P-TRB0536-G
11	INSULATION 3	TEFLON	1	TEFLON	I-0321T
12	INSULATION 4	TEFLON	1	TEFLON	I-0322T
13	BODY 2	BRASS	1	NICKEL	B-TRB0669-N
14	BODY 3	BRASS	1	NICKEL	B-TRB0670-N
15	NUT	BRASS	1	NICKEL	N-0032-N



Allconnectors
 www.allconnectors.de
 Tel.: 0940 711 7000/503
 Zentrale: 0940 711 7000/504
 info@allconnectors.de
 Fax: 0940 711 7000/504
 kromschroeder.de

TITLE TRB MALE CRIMP FOR
.250 DIA TWINAX CABLE

PART NO. TRB-02Y-TGN

DRAWING NO. TRB 02Y TGN

DRAWN MARY
DATE 93.08.19

CHECKED 蘇姿潔
DATE

Q.A. 馮健華
DATE

APPROVAL 徐燦霖
DATE

REVISION
DATE

DIMENSIONS ARE IN MILLIMETERS

UNLESS OTHERWISE SPECIFIED TOLERANCE

0.5-5=±0.2	120-315=±1
5-30=±0.4	315-1000=±1.6
30-120=±0.6	1000-2000=±2.4

SCALE 4:1 **SIZE** A

REVISION	
DESCRIPTION	ENGINEER