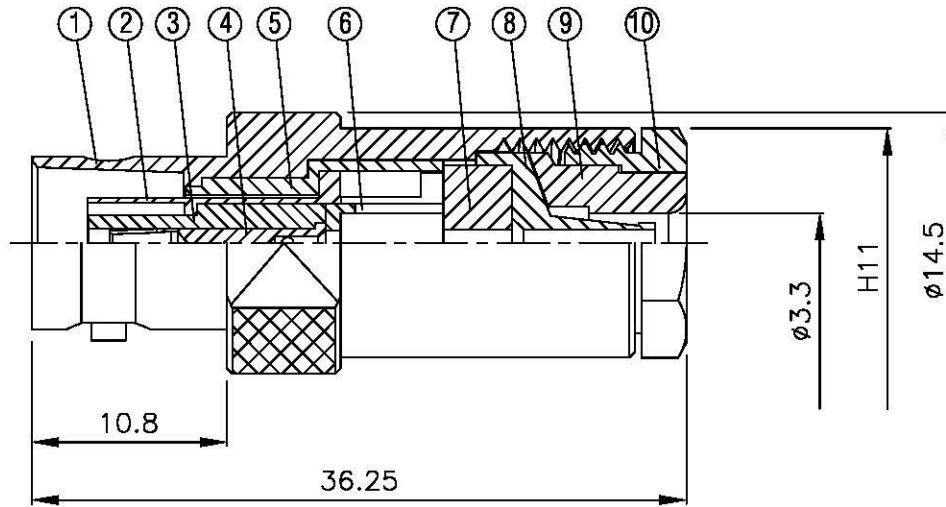
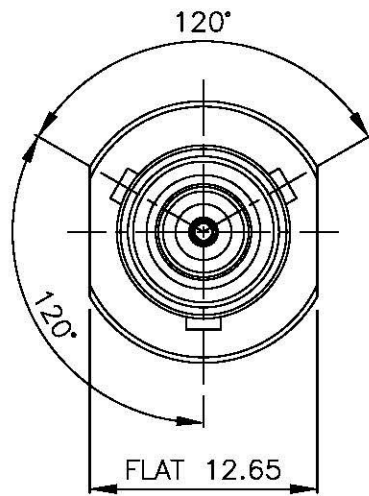
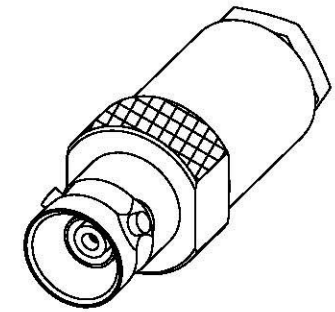
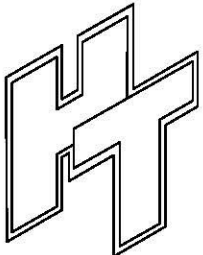



NO	DESCRIPTION	MATERIAL	Q'TY	FINISH	REMARK
1	BODY 1	BRASS	1	NICKEL	B-TRB0668-N
2	PIN 1	PH.BRONZE	1	GOLD	P-TRB0450-G
3	INSULATION 1	TEFLON	1	TEFLON	I-0320T
4	PIN 2	BE CU	1	GOLD	P-TRB0451-G
5	INSULATION 2	TEFLON	1	TEFLON	I-0319T
6	INSULATION 3	TEFLON	1	TEFLON	I-0321T
7	INSULATION 4	TEFLON	1	TEFLON	I-0322T
8	BODY 2	BRASS	1	NICKEL	B-TRB0669-N
9	BODY 3	BRASS	1	NICKEL	B-TRB0670-N
10	NUT	BRASS	1	NICKEL	N-0032-N



		DRAWN MARY DATE 92.12.26	DIMENSIONS ARE IN MILLIMETERS		REVISION		
	<small>www.allconnectors.de Tel.: 0049 711 206909 70754 Filzschluff, Germany</small>	<small>info@allconnectors.de Fax: 0049 711 206901 Kellernstr. 25</small>	CHECKED 蘇姿潔 DATE	UNLESS OTHERWISE SPECIFIED TOLERANCE		DESCRIPTION	ENGINEER
	TITLE TRB FEMALE CRIMP FOR .250 DIA TWINAX CABLE		Q.A. 馮健華 DATE	0.5-5=±0.2 120-315=±1 5-30= ±0.4 315-1000=±1.6 30-120±0.6 1000-2000=±2.4			
	PART NO. TRB-01Y-TGN		APPROVAL 徐燦霖 DATE	SCALE 4:1 SIZE A			
	DRAWING NO. TRB 01Y TGN		REVISION DATE				