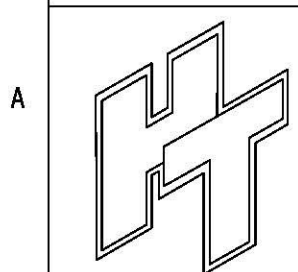
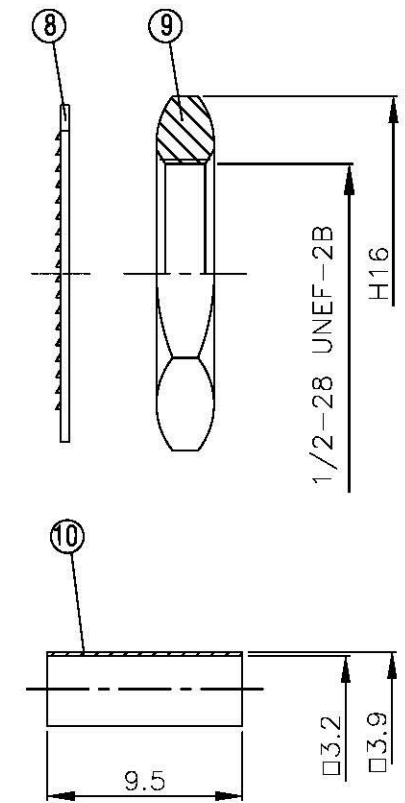
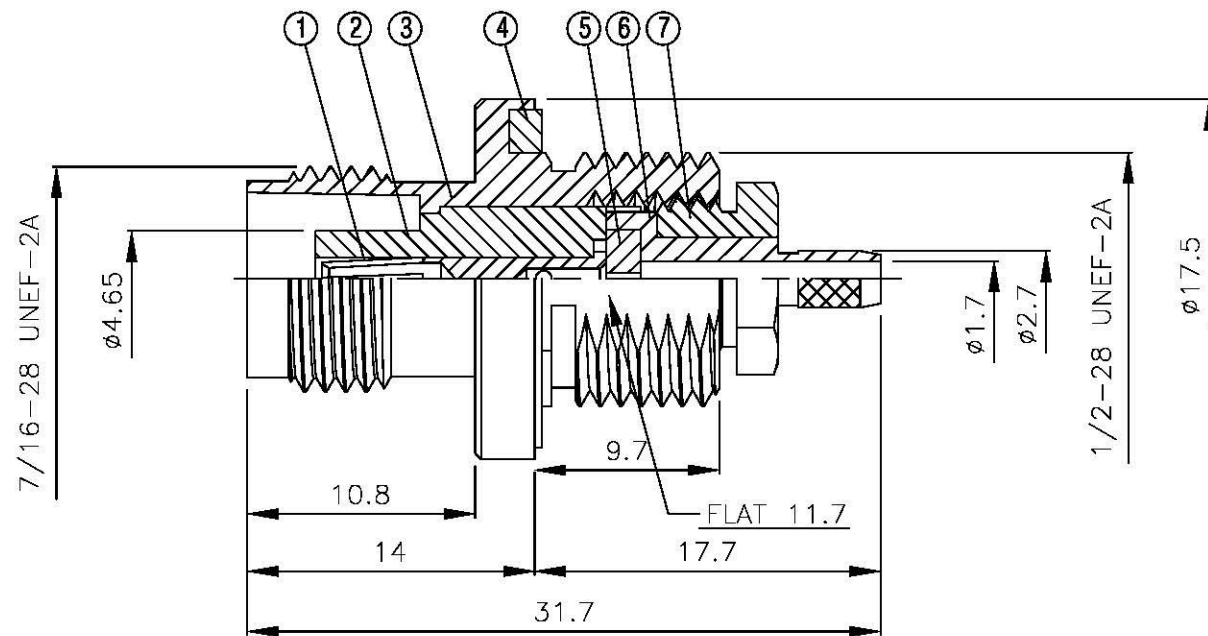
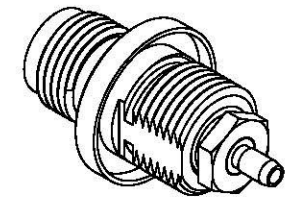
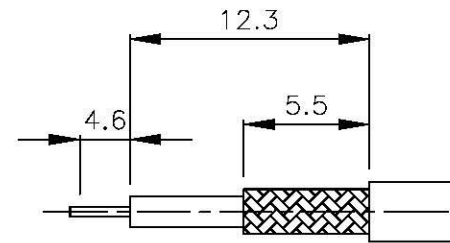


NO	DESCRIPTION	MATERIAL	Q'TY	FINISH	REMARK
1	PIN 1	BRASS	1	GOLD	P-TNC0019-G
2	INSULATION 1	TEFLON	1	TEFLON	I-0089T
3	BODY 1	BRASS	1	NICKEL	B-TNC0910-N
4	GASKET	SI RUBBER	1	RUBBER	RU-0006
5	INSULATION 2	TEFLON	1	TEFLON	I-0448T
6	BODY 2	BRASS	1	NICKEL	B-TNC0919-N
7	NUT	BRASS	1	NICKEL	N-0004-N
8	WASHER	BRASS	1	NICKEL	W-0001-N
9	NUT 2	BRASS	1	NICKEL	N-0003-N
10	RING	BRASS	NICKEL	R-0002-N	



**All Connectors**  
 www.allconnectors.de info@allconnectors.de  
 Tel: 0049 711 7009503 Fax: 0049 711 7007501  
 Alltags-Hilfen GmbH Germany Kettelerstr. 22

**TITLE** TNC BULKHEAD FEMALE CRIMP RECEPTACLE FOR RG-174/U

**PART NO.** TNC-35LV1-TGN

**DRAWING NO.** TNC 35LV1 TGN

**DRAWN** MARY

**CHECKED** 蘇志欣

**Q.A.** 蘇姿潔

**APPROVAL** 徐燦霖

**REVISION**

**DATE** 96.07.06

**DATE**

**DATE**

**DATE**

**DATE**

**DIMENSIONS ARE IN MILLIMETERS**

**UNLESS OTHERWISE SPECIFIED TOLERANCE**

0.5-5=±0.2	120-315=±1
5-30=±0.4	315-1000=±1.6
30-120=±0.6	1000-2000=±2.4

**SCALE** 4:1 **SIZE** A

REVISION	
DESCRIPTION	ENGINEER