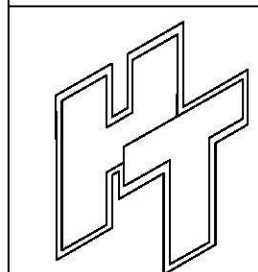
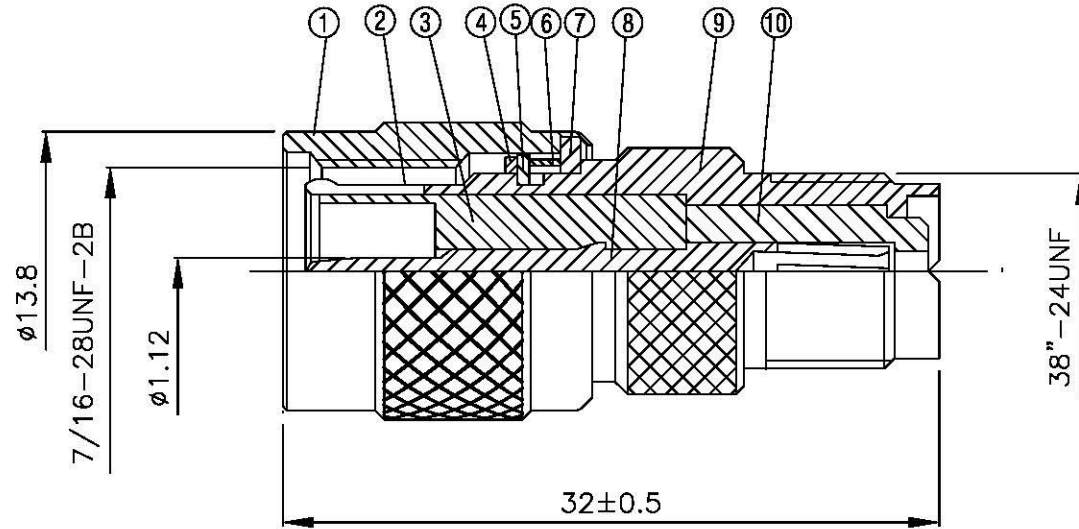
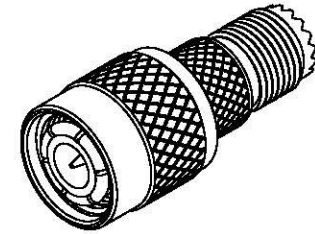


NO	DESCRIPTION	MATERIAL	Q'TY	FINISH
1	BODY 1	BRASS	1	NICKEL
2	BODY 2	BRASS	1	NICKEL
3	INSULATION	TEFLON	1	TEFLON
4	GASKET	SI RUBBER	1	RUBBER
5	WASHER 1	BRASS	1	NICKEL
6	SPRING	BRASS	1	NICKLE
7	WASHER 2	BRASS	1	NICKEL
8	PIN	BRASS	1	GOLD
9	BODY	BRASS	1	NICKEL
10	INSULATION	TEFLON	1	TEFLON



All Connectors
 www.allconnectors.de
 info@allconnectors.de
 Tel.: 0049 711 7009504
 Fax: 0049 711 7009504
 70721 Aldersbach - Germany
 Kellernstr. 2B

TITLE
TNC MALE - MINI UHF MALE ADAPTOR

PART NO.
TNC-31-TGN

DRAWING NO.
TNC 31 TGN

DRAWN MARY DATE 96.07.13

CHECKED 蘇志欣 DATE

Q.A. 蘇姿潔 DATE

APPROVAL 徐燦霖 DATE

REVISION DATE

DIMENSIONS ARE IN MILLIMETERS

UNLESS OTHERWISE SPECIFIED TOLERANCE

0.5-5=±0.2	120-315=±1
5-30=±0.4	315-1000=±1.6
30-120±0.6	1000-2000=±2.4

SCALE 4:1 SIZE A

REVISION	
DESCRIPTION	ENGINEER