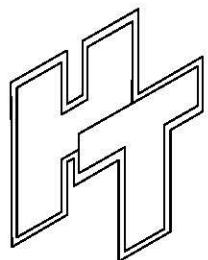
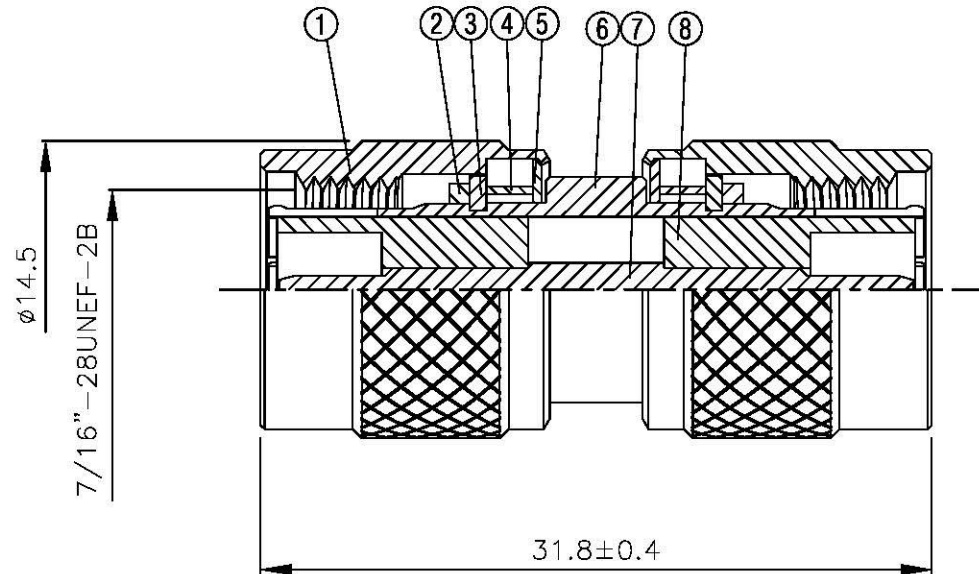
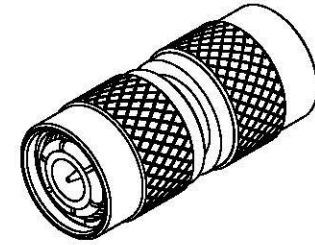


NO	DESCRIPTION	MATERIAL	Q'TY	FINISH
1	BODY 1	BRASS	2	NICKEL
2	RUBBER	SI RUBBER	2	RUBBER
3	WASHER 1	BRASS	2	NICKEL
4	WASHER 2	BRASS	2	NICKEL
5	WASHER 3	BRASS	2	NICKEL
6	BODY 2	BRASS	1	NICKEL
7	PIN	BRASS	1	GOLD
8	INSULATION 1	DELRIN	2	DELRIN



All Connectors

www.allconnectors.de
Tel.: 0049 711 700503
40794 Hilderstadt, Germany

info@allconnectors.de
Fax: 0049 711 700504
Kettelerstr. 25

TITLE TNC MALE -TNC MALE ADAPTOR
D-0006 (C-7430)

PART NO. TNC-25-DGN

DRAWING NO. TNC 25 DGN

DRAWN MARY DATE 97.02.18

CHECKED 蘇志欣

Q.A. 蘇姿潔

APPROVAL 徐燦霖

REVISION

DATE

DATE

DATE

DATE

DIMENSIONS ARE IN MILLIMETERS

UNLESS OTHERWISE SPECIFIED
TOLERANCE

0.5-5=±0.2 120-315=±1

5-30=±0.4 315-1000=±1.6

30-120±0.6 1000-2000=±2.4

SCALE 4:1 SIZE A

REVISION

DESCRIPTION ENGINEER