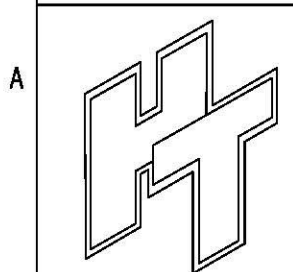
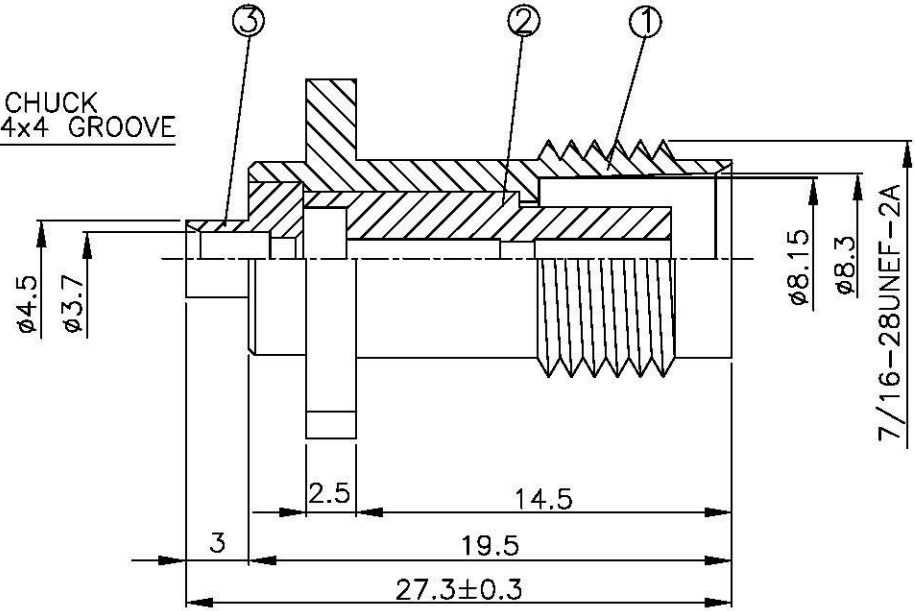
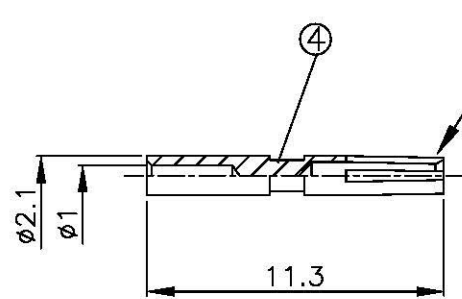
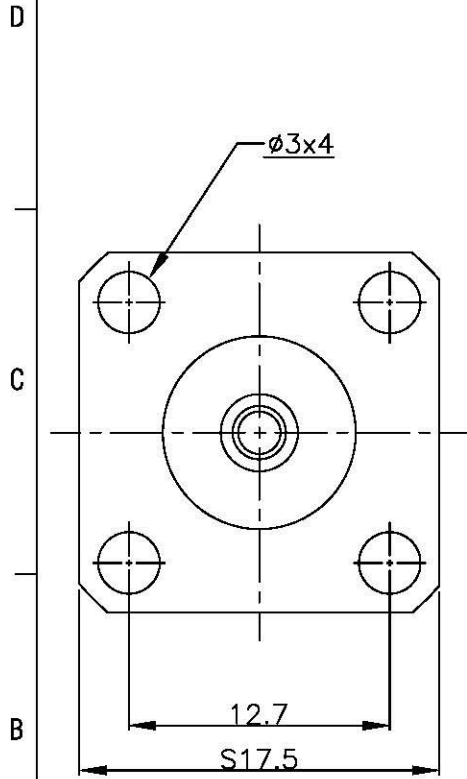
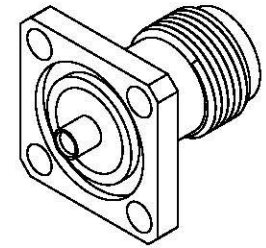
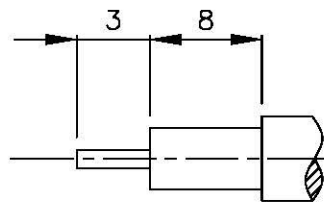


NO	DESCRIPTION	MATERIAL	Q'TY	FINISH	REMARK
1	BODY 1	BRASS	1	NICKEL	B-TNC0476-N
2	INSULATION	TEFLON	1	TEFLON	I-0231T
3	BODY 2	BRASS	1	GOLD	B-BNC0559-G
4	PIN	BRASS	1	GOLD	P-TNC0054-G



**All Connectors**  
 www.allconnectors.de  
 info@allconnectors.de  
 Tel.: 0049 711 7000503 Fax: 0049 711 7000504  
 20754 Hildesheim - Germany Kettelerstr. 25

TITLE TNC PANEL FEMALE SOLDER FOR RG-402 (.141)  
 PART NO. TNC-23V2-TGN  
 DRAWING NO. TNC 23V2 TGN

DRAWN MARY  
 CHECKED 黃巧君  
 Q.A. 蘇姿潔  
 APPROVAL 徐燦霖  
 REVISION

DATE 90.03.11  
 DATE 90.03.11  
 DATE  
 DATE

DIMENSIONS ARE IN MILLIMETERS  
 UNLESS OTHERWISE SPECIFIED TOLERANCE  
 0.5-5=±0.2 120-315=±1  
 5-30=±0.4 315-1000=±1.6  
 30-120=±0.6 1000-2000=±2.4  
 SCALE 4:1 SIZE A

REVISION	
DESCRIPTION	ENGINEER