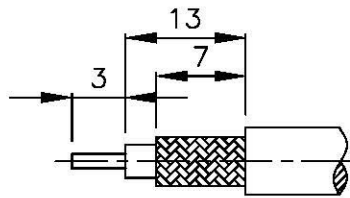
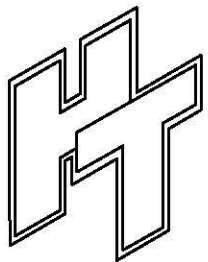
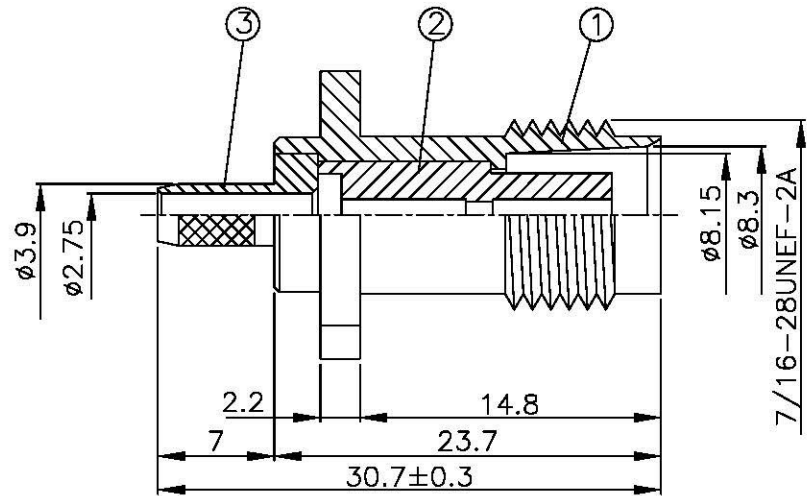
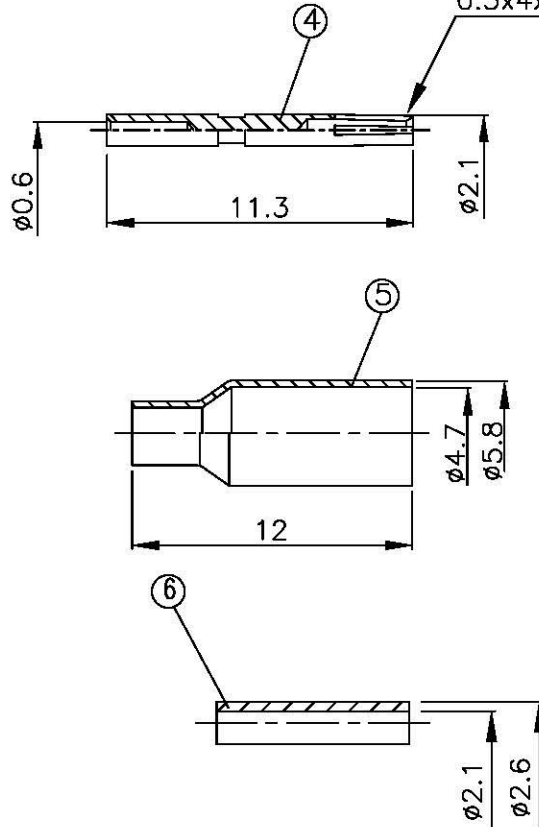
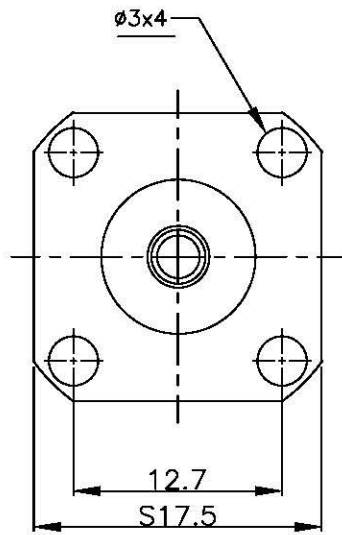
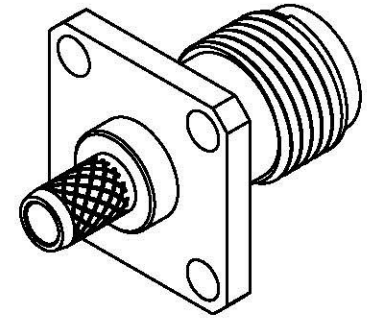


NO	DESCRIPTION	MATERIAL	Q'TY	FINISH	REMARK
1	BODY 1	BRASS	1	NICKEL	B-TNC0476-N
2	INSULATION	TEFLON	1	TEFLON	I-0231T
3	BODY 2	BRASS	1	NICKEL	B-TNC0600-N
4	PIN	BRASS	1	GOLD	P-TNC0455-G
5	RONG	BRASS	1	NICKEL	R-0011-N
6	INSULATION	TEFLON	1	TEFLON	I-0187D



(Recommended Stripping Dimension)

PIN CHUCK
0.3x4x4 GROOVE



All Connectors
www.allconnectors.de
Tel: 0049 711 700500
70774 Filderstadt - Germany

TITLE TNC PANEL FEMALE CRIMP
FOR RG-316/U

PART NO. TNC-23LV1-TGN

DRAWING NO. TNC 23LV1 TGN

DRAWN	MARY	DATE	96.06.012
CHECKED	蘇志欣	DATE	
Q.A.	蘇姿潔	DATE	
APPROVAL	徐燦霖	DATE	
REVISION		DATE	

DIMENSIONS ARE IN MILLIMETERS

UNLESS OTHERWISE SPECIFIED
TOLERANCE

0.5-5=±0.2	120-315=±1
5-30=±0.4	315-1000=±1.6
30-120=±0.6	1000-2000=±2.4

SCALE 4:1 SIZE A

REVISION

DESCRIPTION	ENGINEER