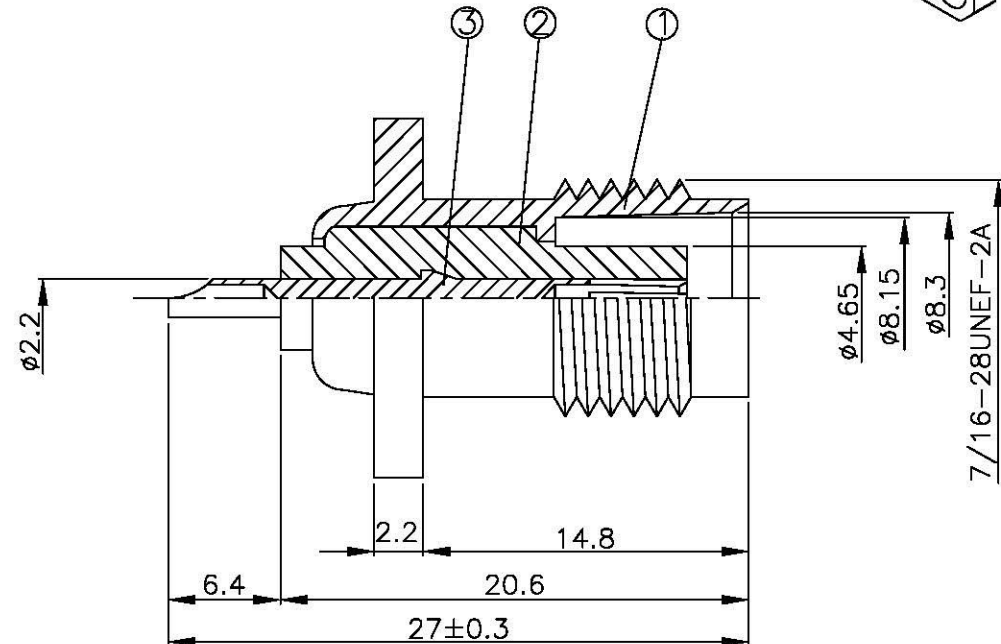
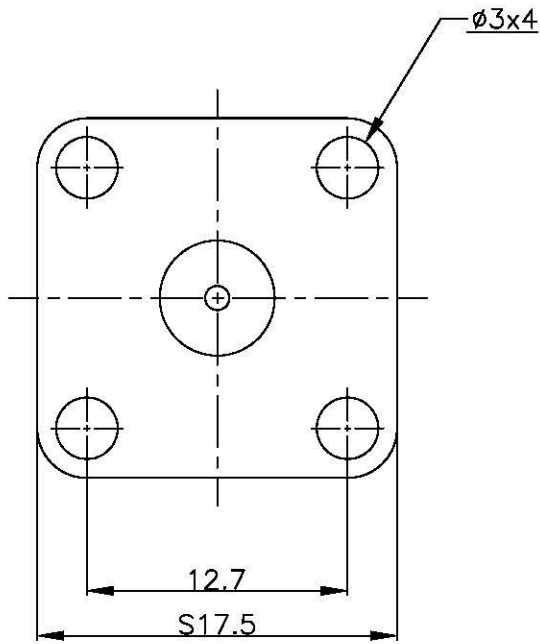
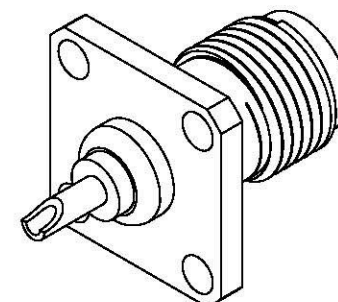
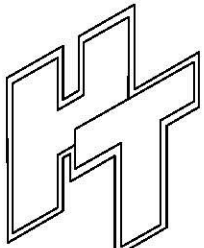


NO	DESCRIPTION	MATERIAL	Q'TY	FINISH	REMARK
1	BODY	BRASS	1	NICKEL	B-TNC0442-N
2	INSULATION	TEFLON	1	TEFLON	I-0001T
3	PIN	BRASS	1	GOLD	P-TNC0076-G

All Connectors
 www.allconnectors.com
 TEL: 0049 711 2009403
 70704 Filderstadt - Germany

mailto:info@allconnectors.com
 Fax: 0049 711 2009404
 Kettenwegstr. 25

TITLE
TNC PANEL FEMALE RECEPTACLE

PART NO.
TNC-23-TGN

DRAWING NO.
TNC 23 TGN

DRAWN	MARY	DATE	96.07.13
CHECKED	蘇志欣	DATE	
Q.A.	蘇姿潔	DATE	
APPROVAL	徐燦霖	DATE	
REVISION		DATE	

DIMENSIONS ARE IN MILLIMETERS			
UNLESS OTHERWISE SPECIFIED TOLERANCE			
0.5-5=±0.2	120-315=±1		
5-30=±0.4	315-1000=±1.6		
30-120=±0.6	1000-2000=±2.4		
SCALE	4:1	SIZE	A

REVISION	
DESCRIPTION	ENGINEER