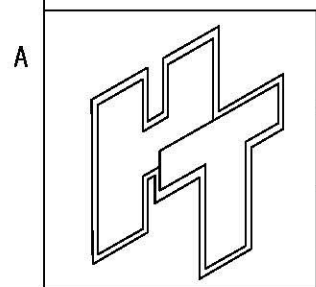
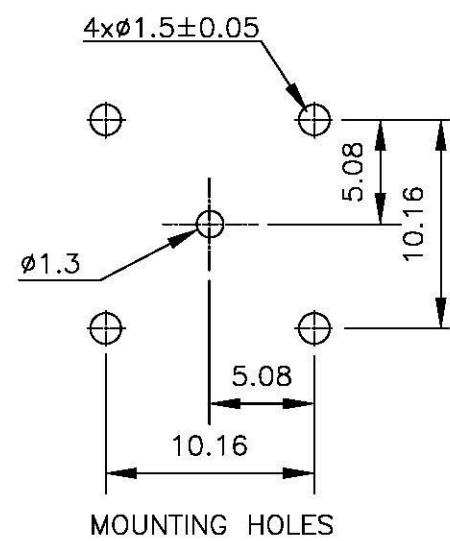
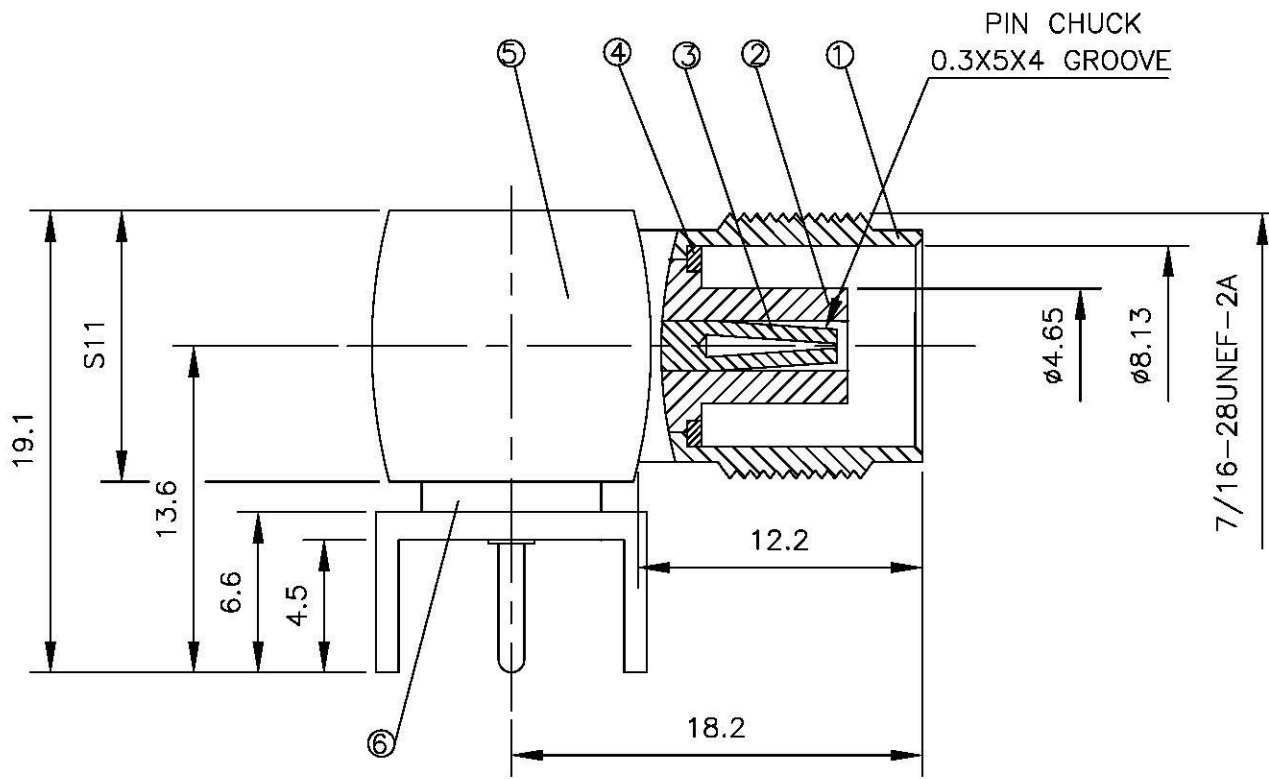
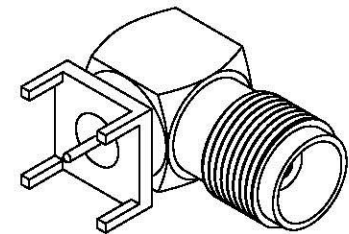


NO	DESCRIPTION	MATERIAL	Q' TY	FINISH
1	BODY 1	BRASS	1	NICKEL
2	INSULATION	TEFLON	1	TEFLON
3	PIN	BRASS	1	GOLD
4	WASHER	BRASS	1	NICKEL
5	INSULATION	TEFLON	1	TEFLON
6	BODY 2	BRASS	1	NICKEL



<small>www.allconnectors.com</small> <small>Tel: 0049 711 7009008</small> <small>70794 Filderstadt Germany</small>	<small>info@allconnectors.com</small> <small>Fax: 0049 711 7005204</small> <small>Kölnstraße, 25</small>
TITLE	TNC ANGLE FEMALE PC MOUNT
PART NO.	TNC-21V4-TGN
DRAWING NO.	TNC-21V4-TGN

DRAWN	MARY	DATE	93.12.01
CHECKED	黃巧君	DATE	96.01.15
Q.A.	蘇姿潔	DATE	
APPROVAL	徐燦霖	DATE	
REVISION		DATE	

DIMENSIONS ARE IN MILLIMETERS			
UNLESS OTHERWISE SPECIFIED TOLERANCE			
0.5-5=±0.2	120-315=±1		
5-30=±0.4	315-1000=±1.6		
30-120=±0.6	1000-2000=±2.4		
SCALE	4:1	SIZE	A

REVISION	
DESCRIPTION	ENGINEER