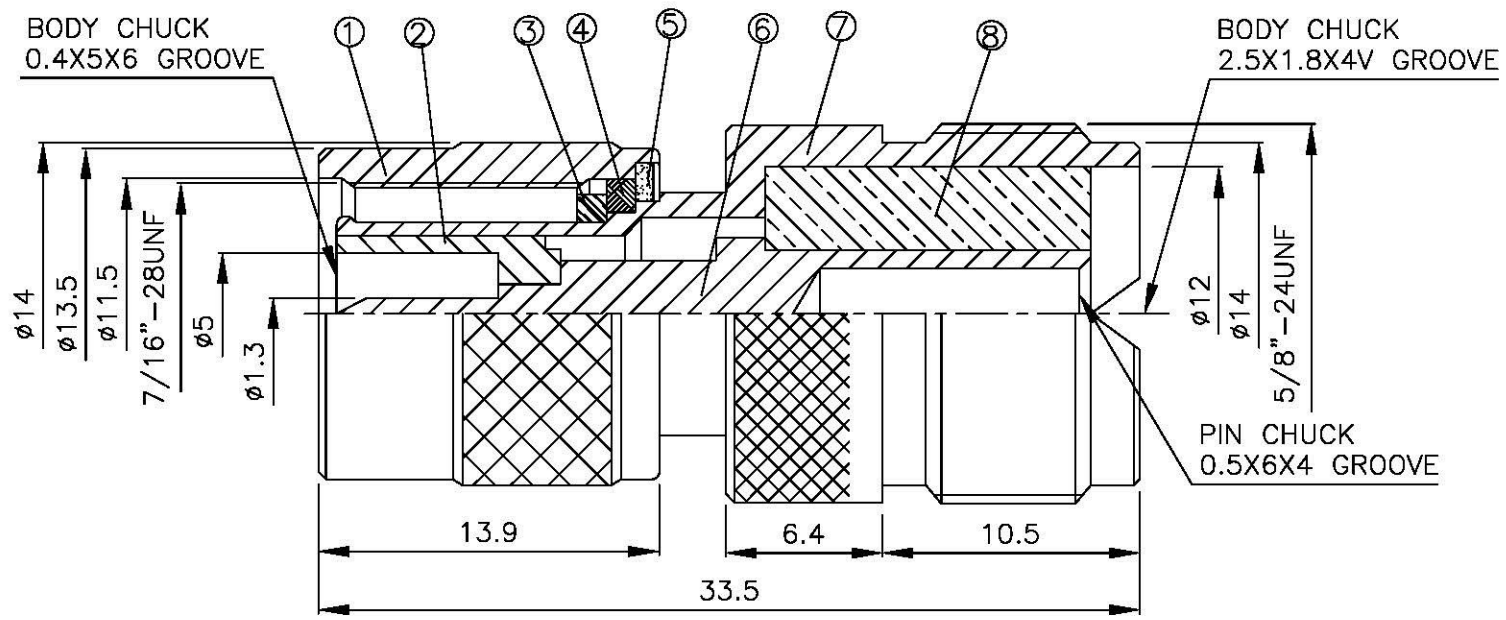
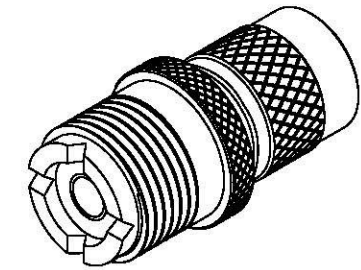


NO	DESCRIPTION	MATERIAL	Q'TY	FINISH
1	SHELL	BRASS	1	NICKEL
2	INSULATION	DELRIN	1	DELRIN
3	GASKET	RUBBER	1	RUBBER
4	WASHER	BRASS	1	NICKEL
5	SLEEVE	BRASS	1	NICKEL
6	PIN	BRASS	1	NICKEL
7	BODY	BRASS	1	NICKEL
8	INSULATION	DELRIN	1	DELRIN



	All Connectors <small>www.allconnectors.com Tel: 0049 711 7094500 26794 Piltenstr. - Germany</small>	DRAWN MARY DATE 96.07.13	DIMENSIONS ARE IN MILLIMETERS		REVISION	
	<small>Info@allconnectors.com Fax: 0049 711 7094504 Kettnerstr. 25</small>	CHECKED 蘇志欣 DATE	UNLESS OTHERWISE SPECIFIED TOLERANCE		DESCRIPTION	ENGINEER
	TITLE TNC MALE-UHF FEMALE	Q.A. 蘇姿潔 DATE	0.5-5=±0.2	120-315=±1		
	PART NO. TNC-17-DGN	APPROVAL 徐燦霖 DATE	5-30=±0.4	315-1000=±1.6		
	DRAWING NO. TNC 17 DGN	REVISION DATE	30-120=±0.6	1000-2000=±2.4		
		SCALE 4:1	SIZE A			