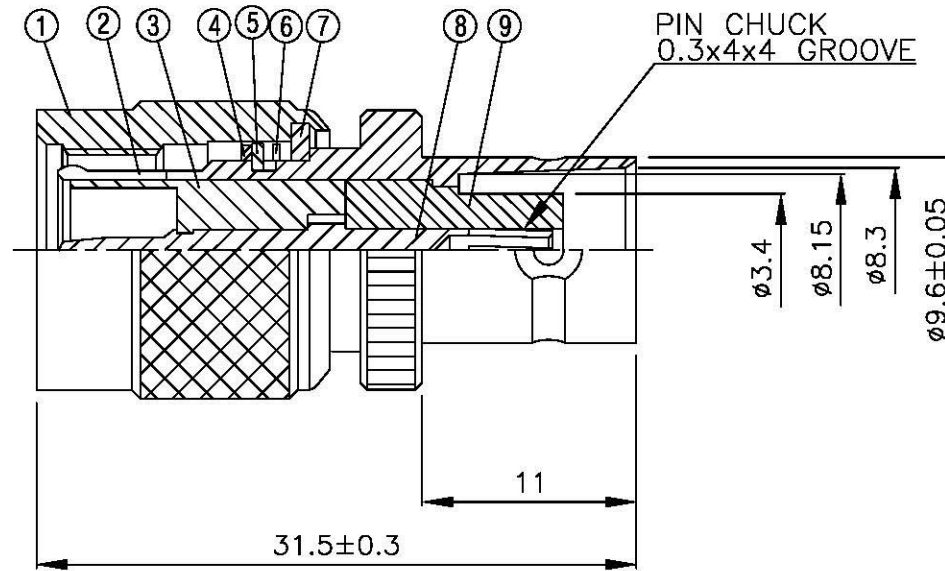


NO	DESCRIPTION	MATERIAL	Q'TY	FINISH
1	BODY 1	DIE-CAST	1	NICKEL
2	BODY 2	BRASS	1	NICKEL
3	INSULATION	DELRIN	1	DELRIN
4	GASKET	SI RUBBER	1	RUBBER
5	WASHER 1	BRASS	1	NICKEL
6	SPRING	BRASS	1	NICKLE
7	WASHER 2	BRASS	1	NICKEL
8	PIN	BRASS	1	GOLD
9	INSULATION	DELRIN	1	DELRIN



	Allconnectors <small>www.allconnectors.de TEL: 0049 717 2092009 70794 Filzschliff, Germany</small>	DRAWN MARY DATE 92.01.28	DIMENSIONS ARE IN MILLIMETERS				REVISION	
		CHECKED 黄巧君 DATE 92.01.28	UNLESS OTHERWISE SPECIFIED TOLERANCE				DESCRIPTION	ENGINEER
		Q.A. 蘇姿潔 DATE	0.5-5=±0.2 120-315=±1					
		APPROVAL 徐燦霖 DATE	5-30= ±0.4 315-1000=±1.6					
		REVISION DATE	30-120±0.6 1000-2000=±2.4					
TITLE TNC MALE -FEMALE ADAPTOR	PART NO. TNC-15-DGN	DRAWING NO. TNC 15 DGN	SCALE 4:1	SIZE A				